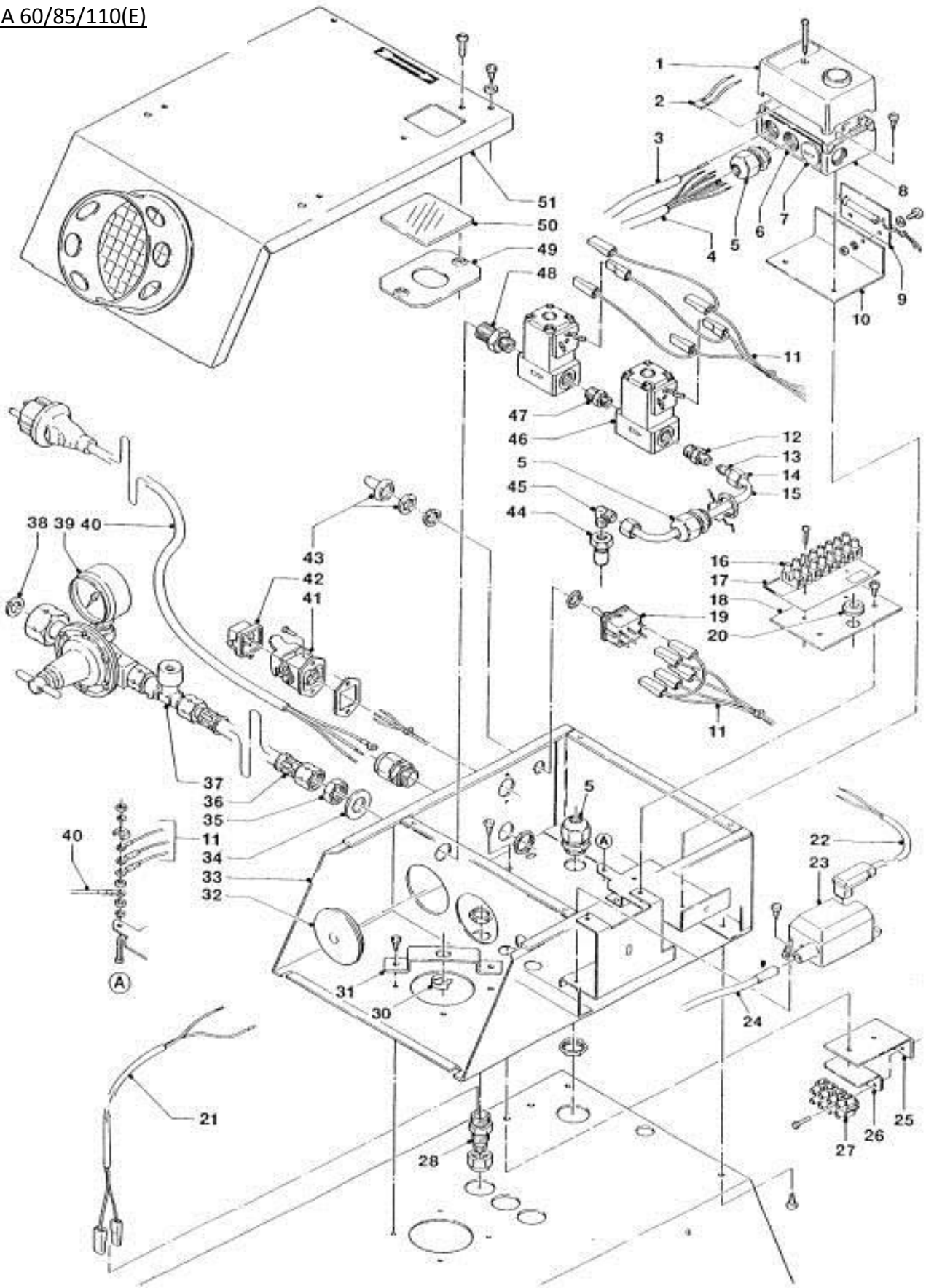




PARTS LIST GA 60-85-110

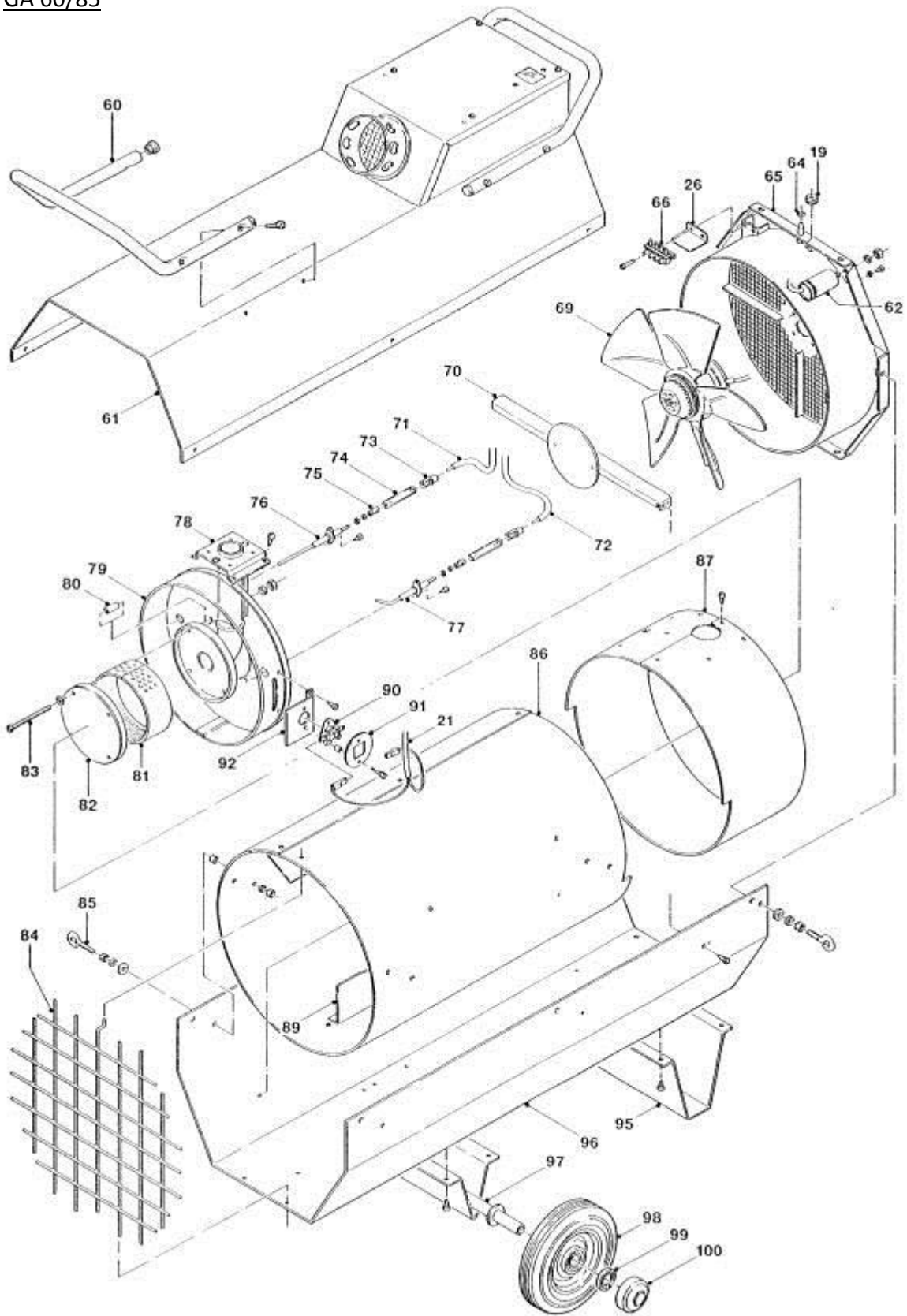
THERMOBILE®

GA 60/85/110(E)



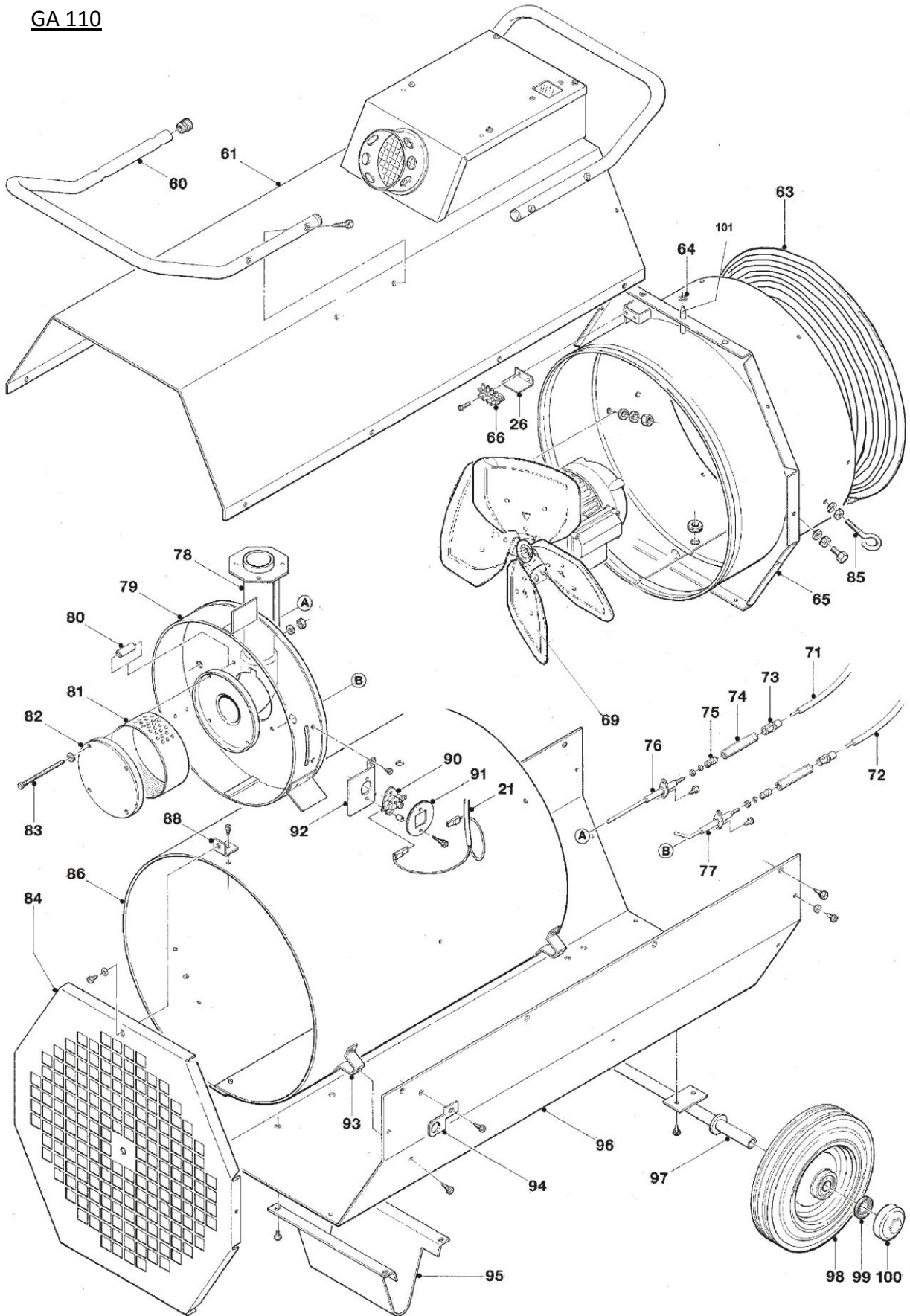
THERMOBILE®

GA 60/85



THERMOBILE®

GA 110



Pos	Nederlands	Français	Deutsch	English
1	Branderautomat	Relais du brûleur	Brennerautomat	Burner relay
2	lampje	lampe	lampe	lamp
2a	Filter	Filtre	Filter	Filter
3	Ionisatiekabel	Câbled'ionisation	Ionisationskabel	Ionisation cable
4				
5	Kabeldoorvoer PG11	Guide pour câble PG11	Zugentlastung PG11	Cable inlet gland PG11
5a	Wartelmoer PG11	Écrou de serrage PG11	Überwurfmutter PG11	Fixation nut PG11
6				
7				
8	Voet branderautomat	Support relais du brûleur	Socket Brennerautomat	Support burner relais
9				
10				
11	Kabelboom	Câbles électriques	Elektrische Drähte	Cable loom
12	Nippel ¼G x 6	Raccord ¼BSPx6	Mutter ¼BSPx6	Nut ¼BSPx6
13	Snijring	Anneau	Schneidering	Pipe dive
14	Wartelmoer	Écrou de serrage	Wirbel	Coupling nut
15	Gastoevoerleiding	Tuyau d'amenée	Gaszuführungsr	Gas supply pipe
16	Kroonstrip	Domino	Klemmenreihe	Terminal strip
17	Isolatieplaatje	Plaque isolant	Isolationsplatte	Insulation plate
18	Bevestigings-plaatje	Plaque pour dominos	Bügel Klemmenreihe	Clip terminal strip
19	Schakelaar	Interrupteur	Schalter	Switch
20	Tule	Protection	Tüll	Grommet
21	Kabel maximaal -	Cable de thermostat de	Kabel STB	Cable limit thermostat
22	Voedingskabel	Câble d'aliment	Anschlußkabel Zündtrafo	Transformer cable
23	Transformator	Transformateur	Zündtrafo	Transformer
24	Ontstekingskabel	Câbl.d'allumation	Zündkabel	Ignition cable
25	Beugel kroonstrip	Bride pour dominos	Klemmenreihe-bügel	Support terminal strip
26	Isolatieplaatje kroonstrip	Plaque isolant du domino	Isolationplatte für Klemmenreihe	Insulation plate for terminal
27	Kroonstrip (v)	Domino (f)	Klem.reihe (f.)	Termin. strip (f)
27a	Motorkabel	Câble de moteur	Motorkabel	Motor cable
28	Kabeldoorvoer PG9	Guide pour câble PG9	Zugentlastung PG9	Cable inlet gland PG9
28a	Wartelmoer PG9	Écrou de serrage PG9	Überwurfmutter PG9	Fixation nut PG9
29				
30	Boraring	Anneau de sécurité	Sicherungsring	Safety ring
31	Verstuurbeugel	Supp. de gicleur	Düsebügel	Nozzle holder
32	Tule ø50	Protection ø50	Tüll ø50	Grommet ø50
33	Schakelkast	Pann. de commande	Bedienfeld	Control panel
34	Sluitring M16	Rondelle M16	Schließring M16	Washer M16
35	Moer 3/8G Links	Écrou 3/8BSP a G	Mutter 3/8BSP L	Nut 3/8BSP L
36	Gasslang	Tuyau de gaz	Gasschlauch	Gas hose
37	Slangbreukbeveiliging	Protection rupture tuyau	Schlauchbruchschutz	Hose breakage security
38	Afdichtring	Joint torique	Abdichtungsring	Seal
39	Drukregelaar	Régulat. de pression	Druckregler	Pressure regulator
40	Kabel met stekker	Câble avec prise	Kabel mit Stecker	Cable with plug
	I			

Pos	Nederlands	Français	Deutsch	English
41	Thermostaataansluiting	Connection de thermostat	Thermostat- anschluss	Thermostat socket
42	Brugsteker	Fiche court circuit	Brückenstecker	Bridge circuit plug
43	Afdekkap	Couvercle	Abdeckkappe	Cover
44	Verstuiver	Gicleur	Düse	Nozzle
45	Koppeling	Accouplement	Kupplung	Coupling
46	Magneetventiel	Vanne magnétique	Magnetventil	Magnetic valve
46a	Plaat kleppen	Plaque vanne	Stutze ventill	Plate valve
47	Nippel ¼ x ¼	Raccord ¼ x ¼	Nippel ¼ x ¼	Nipple ¼G x ¼G
48	Nipp. 3/8G x ¼G	Raccord 3/8G x¼G	Nipp. 3/8G x ¼G	Nipp. 3/8G x ¼G
49	Klemplaat	Plaque de serrage	Klemmplatte	Clamping plate
50	Afdeklaat	Couvercle	Schutzplatte	Cover reset button
51	Deksel schakelkast	Couvercle de panneau de	Deckel bedienfeld	Lid control box
60	Handgreep	Leviér de manip.	Handgriff	Grip
61	Bovenschaal (E)	Couvercle sup. (E)	Oberdeckel (E)	Upper cover (E)
62	Condensator	Condensateur	Kondensator	Capacitor
63	Aanzuigrooster	Grille d'aspiration	Ansauggitter	Inlet grill
64	O-ring	Joint	Abdichtungsring	Seal
65	Ventilatorhuis	Logement du ventilateur	Ventilatorgehäuse	Fan housing
66	Kroonstrip (man)	Bande de connection (mas)	Klemmenreihe (man)	Terminal strip (male)
69	Ventilator	Ventilateur	Ventilator	Fan
70	Hitteschild	Bouclier thermiq.	Hitzeschild	Heat shield
71	Ionisatie-kabel	Câble d'ionisation	Ionisationskabel	Ionisation cable
72	Ontstekings-kabel	Câble d'allumation	Zünd-kabel	Ignition cable
73	Kabelklem Rajah ø6.35	Griffe de serrage Rajah ø6.35	Kabelklemme Rajah ø6.35	Cable clamp Rajah ø6.35
74	Beschermsslang	Tuyeau de protect.	Schutzschlauch	Protection hose
75	Aansluitbol Rajah M3x6,35	Connect. sphérique Rajah	Verbindungskugel Rajah M3x6,35	Ball connector Rajah
76	Ionisatie elektrode	Electrode d'ionisation	Ionisations- elektrode	Ionisation electrode
77	Ontstekingselektrode	Electrode d'allumation	Zündeflektrode	Ignition electrode
78	Branderpijp	Tube de brûleur	Brennerrohr	Burner pipe
79	Stralingsplaat	Plaque de rayonnement	Strahlungsplatte	Radiation plate
80	Afstandsbus	Douille d'écart.	Distanzbüchse	Distance tube
81	Brandermantel	Virole de brûleur	Brennermantel	Burner jacket
82	Deksel	Couvercle	Deckel	Cover
83	Schroef M5x90	Vis M5x90	Schraube M5x90	Screw M5x90
84	Uitblaasrooster	Grille de soufflage	Ausblasgitter	Blowing grill
85	Oogbout	Piton	Ringschraube	Screw eye
86	Verbrandingskamer	Chambre de combustion	Brennkammer	Combustion chamber
87	Koelmantel	Virole de refroidissement	Kühlmantel	Cooling jacket
88	Gril beugel	Support du grille	Gitterstütze	Grill support
89	Luchtgeleider	Conducteur d'air	Leitungsblech	Air guiding strip
90	Maximaal thermostaat	Thermostat de surchauffe	STB	Limit thermostat

Pos	Nederlands	Français	Deutsch	English
91	Plaat	Plaque	Platte	Plate
92	Capillair beugel	Bride p. capillaire	Kapalairbügel	Capillair support
93	Steun verbrandingskamer	Support du cham-bre de	Stütze Brennerkammer	Support com-bustion
94	Aarde plaatje 6 polig	Plaque de terre a 6 pole	Erdplatte 6 polig	Earth plate 6 pole
95	Steun	Support	Stütze	Support
96	Onderschaal (E)	Couvercle inf. (E)	Unterteil (E)	Low. cover (E)
97	As	Essieu	Achse	Shaft
98	Wiel	Roue	Rad	Wheel
99	Borgring	Anneau de fixation	Sicherungsring	Wheel lock ring
100	Kap	Capot	Haube	Cap
101	Nippel W21,8 x1/4 G	Raccord W21,8 x1/4 G	Nippel W21,8 x1/4 G	Nipple W21,8 x1/4 G
102	Wartelnippel	Écrou de raccord	Überwurfnippel	Coupling nipple
103	Gas snelkoppeling	Accouplement rapide	Gaß Schnellkuplung	Gas quick coupling
104	Wartel 3/8 KNLKS	Raccord KNLKS	Nippel KNLKS	Nipple KNLKS
105	Slangklem	Joint de tuyeau	Schlauchklemme	Hose clamp
	GA 60	GA 85	GA 110	
1	43.030.034	43.030.034	43.030.034	
2	40.720.118	40.720.118	40.720.118	
2a	40.710.058	40.710.058	40.710.058	
3	40.707.115/01	40.707.115/01	40.707.115/01	
4				
5	40.503.006	40.503.006	40.503.006	
5a	40.503.304	40.503.304	40.503.304	
6				
7				
8	40.202.135	40.202.135	40.202.135	
9				
10				
11	40.707.143/03	40.707.143/03	40.707.143/03	
12	40.250.077	40.250.077	40.250.077	
13	40.250.056	40.250.056	40.250.056	
14	40.250.057	40.250.057	40.250.057	
15	40.707.118/03	40.707.118/03	40.707.118/03	
16	40.202.090	40.202.090	40.202.090	
17	40.247.014/01	40.247.014/01	40.247.014/01	
18	40.707.124/01	40.707.124/01	40.707.124/01	
19	40.507.022	40.507.022	40.507.022	
20	41.800.240	41.800.240	41.800.240	

THERMOBILE®

Pos	GA 60	GA 85	GA 110
20	41.800.240	41.800.240	41.800.240
21	40.707.142	40.707.142	40.707.142
22	40.245.083	40.245.083	40.245.083
23	40.245.078	40.245.078	40.245.078
24	40.707.111	40.707.111	40.707.111
25	40.707.119/02	40.707.119/02	40.707.119/02
26	40.506.711/03	40.506.711/03	40.506.711/03
27	40.506.801	40.506.801	40.506.801
27a	40.223.064	40.223.064	40.710.061/03
28	40.503.005	40.503.005	40.503.005
28a	40.503.152	40.503.152	40.503.152
29			
30	40.257.059	40.257.059	40.257.059
31	40.707.080	40.707.039/01	40.707.039/01
32	40.509.340	40.509.340	40.509.340
33	40.707.023 7964/06	40.707.023 7964/06	40.707.023 7964/06
34	40.501.677	40.501.677	40.501.677
35	40.257.016	40.257.016	40.257.016
36	40.250.072	40.250.072	40.250.072
37	40.700.044	40.700.044	40.700.044
38	40.250.074	40.250.074	40.250.074
39	40.707.145	40.707.145	40.707.145
40	40.707.136	40.707.136	40.707.136
41	40.202.091+ 40.202.092	40.202.091+ 40.202.092	40.202.091+ 40.202.092
42	40.226.030	40.226.030	40.226.030
43	41.215.052	41.215.052	41.215.052
44	40.707.066	40.707.067	40.710.049
45	40.250.048	40.250.048	40.250.048
46	40.700.039	40.700.039	40.700.039
46a	40.707.140/02	40.707.140/02	40.707.140/02
47	40.504.000	40.504.000	40.504.000
48	40.707.117	40.707.117	40.707.117
49	40.707.102/03	40.707.102/03	40.707.102/03
50	40.707.104/01	40.707.104/01	40.707.104/01
51	40.707.113 7964/02	40.707.113 7964/02	40.707.113 7964/02
60	40.707.090 7964/04	40.707.090 7964/04	40.710.035 7964/06
61	40.707.172/03	40.707.172/03	40.710.170/01
62	41.000.173	41.000.173	---
63	40.745.020	40.745.020	40.775.020
64	40.509.722	40.509.722	40.509.722
65	40.745.035 7964 /01	40.745.035 7964/01	40.775.023 7964/01

THERMOBILE®

Pos	GA 60	GA 85	GA 110
66	40.506.802	40.506.802	40.506.802
69	40.745.040	40.745.040	40.775.040
70	40.707.017/01	40.707.017/01	---
71	40.707.115/01	40.707.115/01	40.707.115/01
72	40.707.111	40.707.111	40.707.111
73	40.506.851	40.506.851	40.506.851
74	00.003.212	00.003.212	00.003.212
75	40.506.877	40.506.877	40.506.877
76	40.300.048	40.300.048	40.300.048
77	40.710.046/03	40.710.046/03	40.710.046/03
78	40.707.029_8957/03	40.707.029_8957/03	40.710.101_8957/02
79	40.707.107/01	40.707.107/01	40.710.092/03
80	41.900.637	41.900.637	41.900.637
81	40.710.084/03	40.710.084/03	40.710.084/03
82	40.710.033/02	40.710.033/02	40.710.033/02
83	40.500.378	40.500.378	40.500.378
84	40.707.043/02	40.707.043/02	40.775.030
85	40.501.929	40.501.929	40.501.929
86	40.707.021/05	40.707.021/05	40.710.015/09
87	40.707.036/04	40.707.036/04	---
88	---	---	40.710.025 /03
89	40.707.022/01	40.707.022/01	---
90	41.000.206	41.000.206	41.000.206
91	40.707.144/01	40.707.144/01	40.707.144/01
92	40.707.160/04	40.707.160/04	40.707.160/04
93	---	---	40.257.045
94	40.506.884	40.506.884	40.506.884
95	40.707.053_7964	40.707.053_7964	40.710.020_7964/02
96	40.707.171/03	40.707.171/03	40.710.169/01
97	40.707.049_7964	40.707.049_7964	40.710.040_7964/02
98	40.202.142	40.202.142	41.800.129
99	40.202.101	40.202.101	40.202.101
100	40.202.102	40.202.102	40.202.102
101	40.252.259	40.252.259	40.252.259
102	40.252.261	40.252.261	40.252.261
103	40.252.258	40.252.258	40.252.258
104	40.252.260	40.252.260	40.252.260
105	40.509.152	40.509.152	40.509.152

DRAADDIKTE: 0,75 mm²

KLEURKODE BEDRADING

BK	zwart
BN	bruin
BU	blauw
OR	oranje
RD	rood
PR	paars
YE/GN	geel/groen
WT	wit
GR	grjs

WIRING COLORS

BK	black
BN	brown
BU	blue
OR	orange
RD	red
PR	violet
YE/GN	yellow/green
WT	white
GR	gray

COULEUR DU CABLAGE

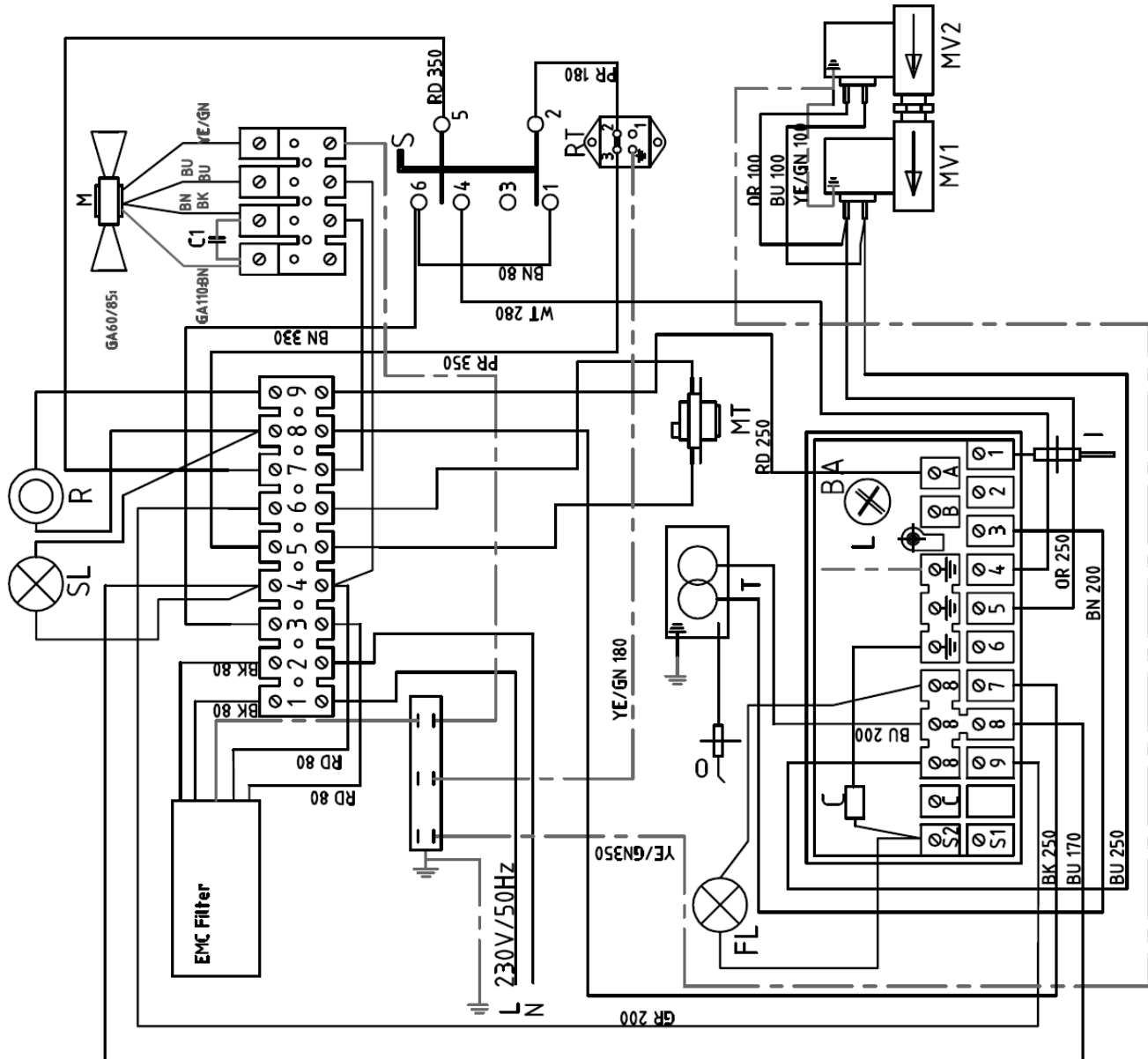
BK	noir
BN	brun
BU	bleu
OR	orange
RD	rouge
PR	violet
YE/GN	jaune/vert
WT	blanc
GR	gris

DRAHTENFARBE

BK	Schwarz
BN	Braun
BU	Blau
OR	Orange
RD	Rot
PR	Violett
YE/GN	Gelb/Grün
WT	Weiss
GR	Grau

40 020 461 13

GA 60/85/110



EG-VERKLARING VAN OVEREENSTEMMING

THERMOBILE INDUSTRIES B.V.
Gevestigd aan de Konijnenberg 80 , 4825 BD BREDA,
Verklaren geheel onder eigen verantwoordelijkheid dat het producten,

PROPAANGAS GESTOOKTE LUCHTVERHITTER GA 25, 42, 60, 85, 110.

Voldoen aan de volgende EG – richtlijnen.

Machine-richtlijnen: 2006/42/EG
Laagspanningsrichtlijn: 2006/95/EG
EMC-richtlijn: 2004/108/EG
Gastoeelstellenrichtlijn: 90/369/EEG

Nederland,
Breda, 23-3-
2011

Maurice de Vlieger
Sales & Marketing
Director

Handtekening,


EG-KONFORMITÄTSERKLÄRUNG

THERMOBILE INDUSTRIES B.V.
Konijnenberg 80 , 4825 BD BREDA,
Erklären hiermit eigenerverantwortlich , daß die Produkte,

PROPANGASBEFEUERTE LUFTERHITZER GA 25, 42, 60, 85, 110.


Wo auf sich diese Erklärung bezieht, hergestellt ist gemäß der
Bestimmungen der Richtlinien für:

Maschinen-Richtlinien: 2006/42/EG
Niederspannungsrichtlinie: 2006/95/EG
EMV-Richtlinie: 2004/108/EG

Richtlinie für Gasverbrauchseinrichtungen: 90/396/EEG

Die Niederlande,
Breda, 23-3-2011

Maurice de Vlieger
Sales & Marketing
Director

Unterschrift,


CE-DECLARATION OF CONFORMANCE

THERMOBILE INDUSTRIES B.V.
Konijnenberg 80 , 4825 BD BREDA,
Declares fully under own responsibility that the products:


PROPANE GAS FIRED HEATER GA 25, 42, 60, 85, 110.

To which this statement has reference to, are in conformity
with the following regulations:

Machine-regulations: 2006/42/EC
Low Voltage Directive: 2006/95/EC
EMC-directive: 2004/108/EC
Gas appliance directive: 90/396/EEC

The Netherlands,
Breda, 23-3-2011

Maurice de Vlieger
Sales & Marketing
Director

Signature,


DÉCLARATION DE CONFORMITÉ CE

THERMOBILE INDUSTRIES B.V.
Konijnenberg 80 , 4825 BD BREDA, LES PAYS-BAS, Déclare
sous sa seule responsabilité que les produits:


APPAREIL DE CHAUFFAGE D'AIR À COMBUSTION AU PROPANE GA 25, 42, 60, 85, 110.

Auxquels se réfère cette déclaration, sont conformes aux
normes suivantes:

Directive sur les machines: 2006/42/CE
Directive sur la basse tension: 2006/95/CE
Directive sur la compatibilité électromagnétique: 2004/108/CE
Directive sur les appareils à gaz: 2009/142/CEE

Les Pays-Bas,
Breda, 23-3-2011

Maurice de Vlieger
Sales & Marketing
Director

Signature,


DECLARACIÓN CE DE CONFORMIDAD


THERMOBILE INDUSTRIES B.V.,
Konijnenberg 80, NL-4825 BD BREDA,
asume plena responsabilidad al declarar que los productos:

GENERADORES DE AIRE CALIENTE DE GAS PROPANO GA 42, GA 60, GA 85 y GA 110

cumplen con las siguientes directivas CE:
Directiva sobre maquinaria: 2006/42/CE
Directiva de baja tensión: 2006/95/CE
Directiva sobre compatibilidad
electromagnética (EMC): 2004/108/CE
Directiva aparatos de gas: 2009/142/CEE

Holanda, Breda,
09-05-2011

Maurice de Vlieger
Sales & Marketing
Director

Signature,


ЕС-Декларация соответствия

THERMOBILE INDUSTRIES B.V.,
Konijnenberg 80, NL-4825 BD BREDA с
полной ответственностью заявляет, что
изделия:

ВОЗДУХОНАГРЕВАТЕЛИ GA 25, 42, 60, 85, 110. РАБОТАЮЩИЕ НА ПРИРОДНОМ ГАЗЕ,

соответствуют следующим директивам ЕС:
Нормативам по машиностроению: 2006/42/EC
Нормативам по низкому напряжению: 2006/95/EC
EMC-нормативам: 2004/108/EC
Директива о газовых приборах 2009/142/EEC

Нидерланды,
Бреда,
09-05-2011

Maurice de Vlieger
Sales & Marketing
Director

Signature,


Thermobile Industries BV +31(0)76 587 34 50
Fax +31 (0)76 587 27 89 info@thermobile.nl www.thermobile.com

Thermobile UK Ltd +44 (0) 2476 35 79 60
Fax +44(0) 2476 35 79 69 info@thermobile.co.uk www.thermobile.co.uk

Thermobile France S.a.r.l. +33(0)2 38 76 59 25
Fax +33(0)2 38 76 58 93 info@thermobile.fr www.thermobile.fr