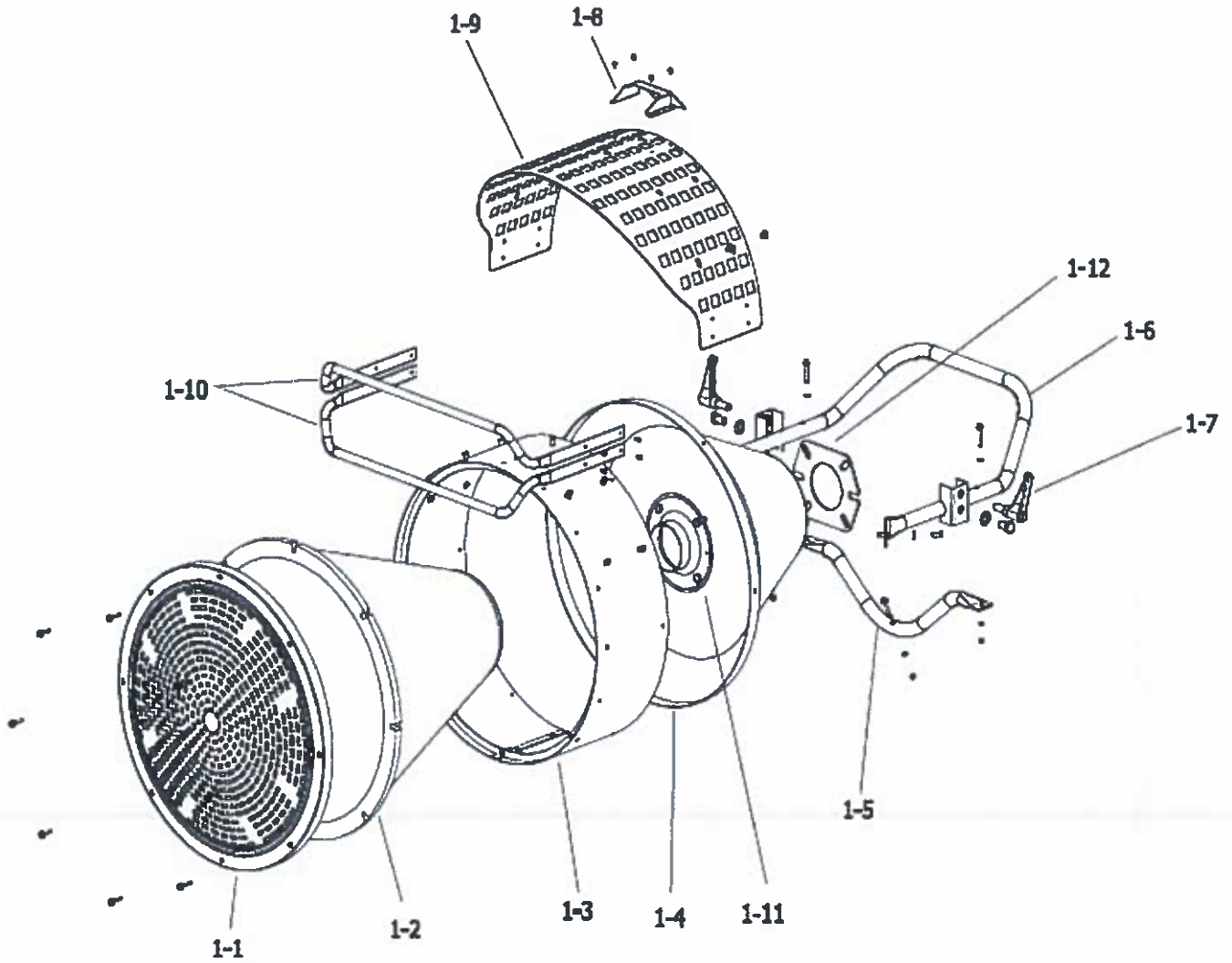


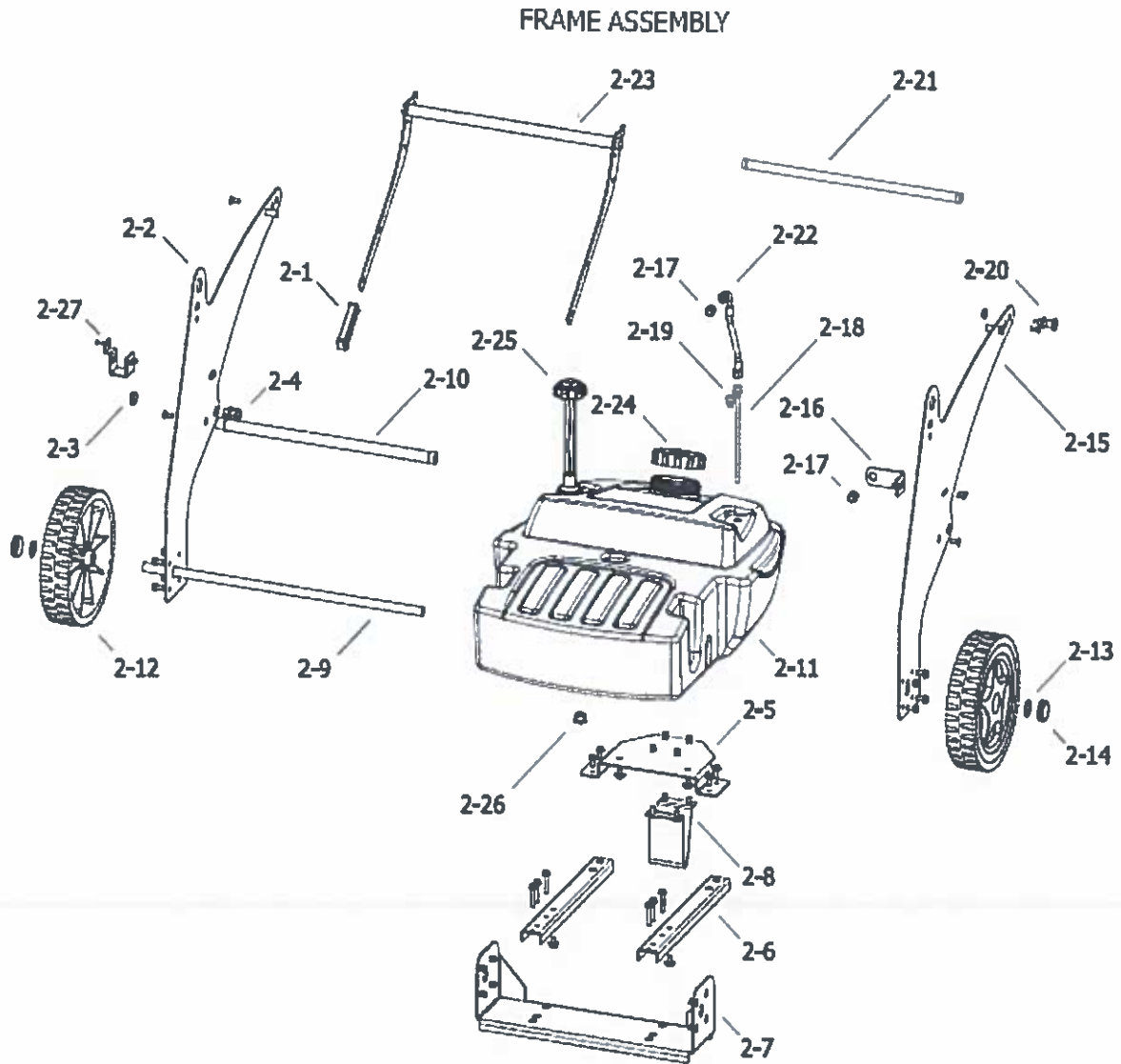
IFT 42

COMBUSTION CHAMBER ASSEMBLY



THERMOBILE®

IFT 42



THERMOBILE®

IFT 42

JNIT 3

PARTSLIST

POS.	Code NR	Description	Rev. Emiss - Aug 2011
1-1	4117.043	RADIATION DISC	
1-2	4117.007	CONICAL INSULATOR	
1-3	4117.072	DRUM	
1-4	4117.104	CONICAL HOUSING	
1-5	4117.055	CONICAL HOUSING BRACKET	
1-6	4117.032	GRIP	
1-7	4117.294	PLASTIC HOLD	
1-8	4117.027	PROTECTION SUPPORT	
1-9	4117.328	VISOR	
1-10	4117.096	GUARD RAIL	
1-11	4117.190	COMBUSTION CHAMBER FLANGE	
1-12	4117.191	COMBUSTION CHAMBER FLANGE GASKET	

JNIT 3

PARTSLIST

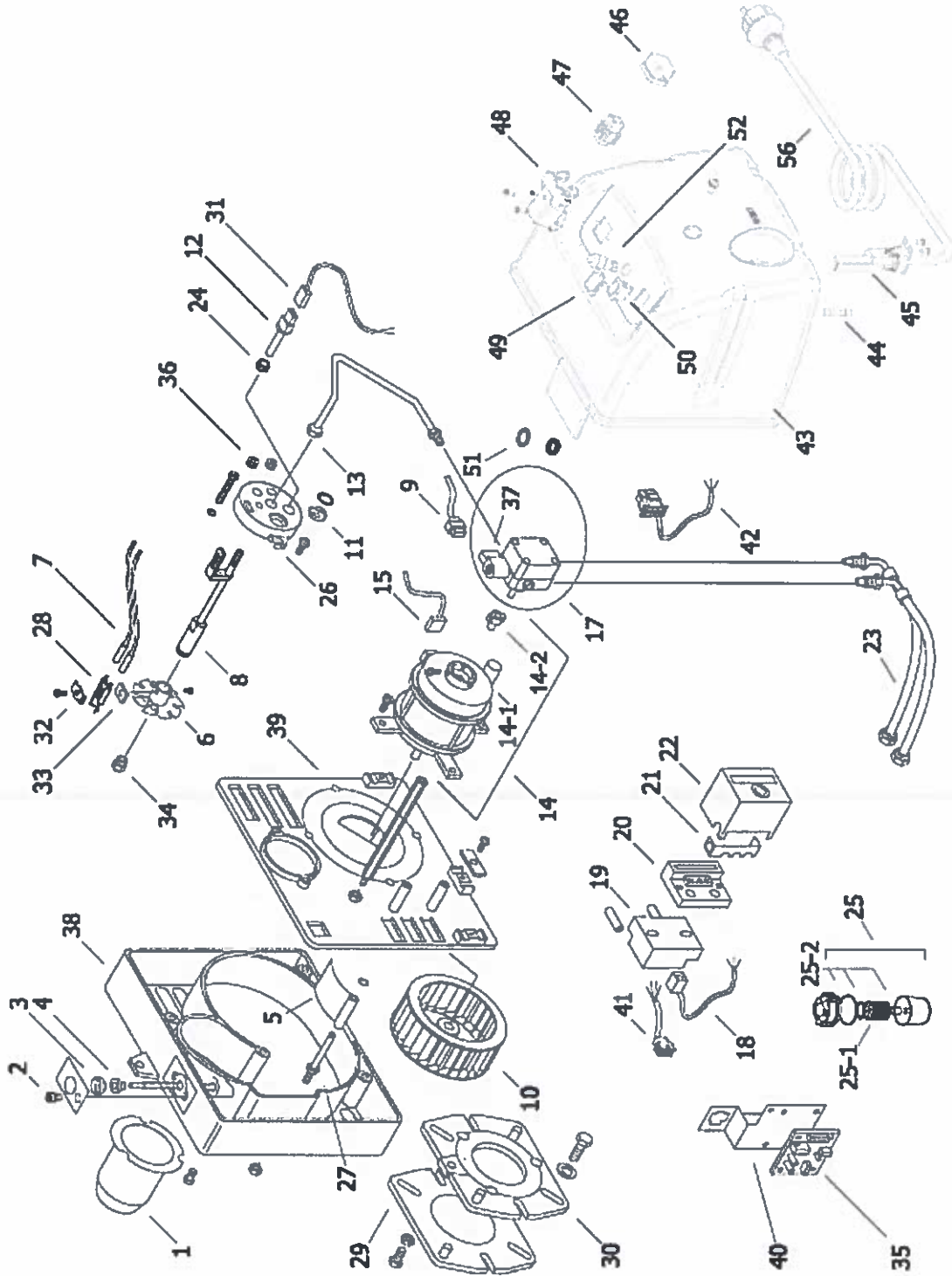
POS.	Code NR	Description	Rev. Emiss - Aug 2011
2-1	4117.044	PLASTIC GRIP	
2-2	4117.335	RIGHT SUPPORT	
2-3	4100.656	NYLON LOCKNUT	
2-4	4150.528	STRAIN RELIEF BUSHING	
2-5	4117.202	FUEL TANK BASE KIT	
2-6	4117.203	BURNER FLANGE	
2-7	4117.204	STRINGER KIT	
2-8	4117.019	LOWER SUPPORT KIT	
2-9	4117.038	AXLE	
2-10	4117.036	TUBE	
2-11	4117.304	FUEL TANK	
2-12	4110.978	WHEEL	
2-13	4111.072	WHEEL HOLDER	
2-14	4111.480	WHEEL PLUG	
2-15	4117.336	LEFT SUPPORT	
2-16	4117.042	KIT FILTER SUPPORT	
2-17	4117.048	NIPPLES	
2-18	4117.050	PIPE CONNECTION	
2-19	4117.049	NIPPLES	
2-20	4117.152	SET PLUG	
2-21	4117.039	TUBE	
2-22	4117.051	FLEXIBLE CONNECTION	
2-23	4117.011	ROTATION SET	
2-24	4117.053	FUEL PLUG	
2-25	4117.006	FUEL LEVEL PROBE	
2-26	4032.813	DRAIN PLUG	
2-27	4117.185	SUPPORT	

THERMOBILE®

IFT 42

From Serial Number: 30700044

Rev. Emiss. - Aug 2011



IFT 42

POS.	Code NR	Description	<i>Rev. Emiss - Aug 2011</i>
1	4117.128	BURNER CONE	
2	N/A	SCREW	
3	N/A	ROUND INDICATOR	
4	N/A	SLEEVE	
5	4117.129	BURNER FASTENER	
6	4117.130	BURNER DISC	
7	1*	ELECTRODE LINE	
8	4117.136	NOZZLE SUPPORT	
9	1*	ELECTROVALVE LINE	
10	4117.134	FAN	
11	N/A	FLAME CHECK	
12	4110.966	PHOTOCELL	
13	4117.135	COPPER TUBE	
14	4117.125	MOTOR	
14-1	4117.206	MOTOR CAPACITOR SIMEL	
14-2	4111.081	PUMP COUPLING SIMEL	
15	1*	MOTOR LINE	
17	4111.042	OIL PUMP DANFOSS	
17-1	4031.094	PUMP FILTER	
18	1*	TRANSFORMER LINE	
19	4117.141	TRANSFORMER DANFOSS	
20	4110.969	FLAME CONTROL BASE	
21	N/A	BASE PARTITION	
22	4110.968	CONTROL BOX SATRONIC	
23	4117.142	PLASTIC TUBE	
24	4117.207	PHOTOCELL ADAPTOR	
25	4031.070	FUEL FILTER	
25-1	4031.015	FILTER ELEMENT	
25-2	4111.116	FILTER SEAL	
26	N/A	BURNER FLANGE	
27	4117.146	BURNER FASTENER BOLT	
28	4117.195	ELECTRODE	
29	4117.148	BURNER FLANGE SEAL	
30	4117.194	BURNER FLANGE CONNECTION	
31	1*	PHOTOCELL LINE	
32	N/A	ELECTRODE CLAMP	
33	N/A	ELECTRODE SEAL	
34	4116.759	NOZZLE	
35	4117.151	PC BOARD	
36	N/A	RUBBER RING	
37-1	4031.195	VALVE	
37-2	4031.019	SPOOL	
38	4117.166	BURNER HOUSING	
39	4117.167	BURNER HOUSING PLATE	
40	4117.153	PC BOARD SUPPORT	
41	1*	4 PIN PLUG LINE	
42	2*	CONNECTION LINE	
43	4117.214	BURNER COVER	
44	4117.057	FUSE	
45	4111.038	CABLE FASTENER	
46	4117.080	THERMOSTAT CONNECTION PLUG	
47	4161.400	CONNECTION SOCKET	
48	4160.647	ANGULAR FIX CASE	
49	4104.336	COVER SWITCH	
50	4100.667	SWITCH	
51	4117.093	RUBBER SEAL	

IFT 42

52	4117.058	PILOT LAMP
53	2*	DUAL LINE BLUE
54	2*	DUAL LINE BLACK
55	2*	LINE WHITE
56	4111.153	POWER CORD (UK PLUG)
56	4111.449	POWER CORD (EUROPEAN PLUG)

1*	KIT LINES	4117.171
2*	KIT LINES BURNER COVER	4117.172

N/A = Parts Not Available