

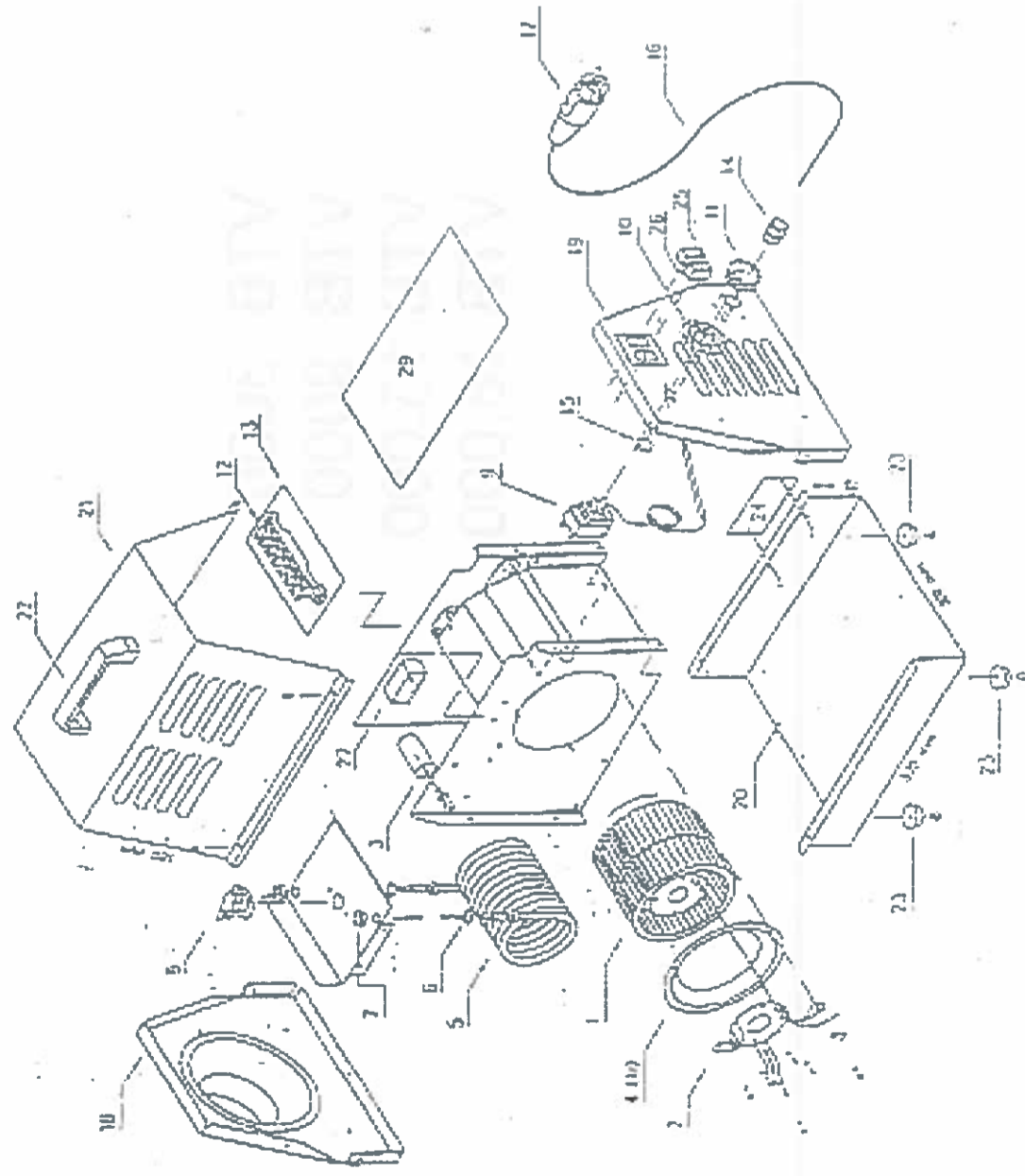
THERMOBILE

Spare parts VTB heaters

VTB 3000
VTB 9000
VTB 15.000
VTB 18.000

THERMOBILE

VTB 3000



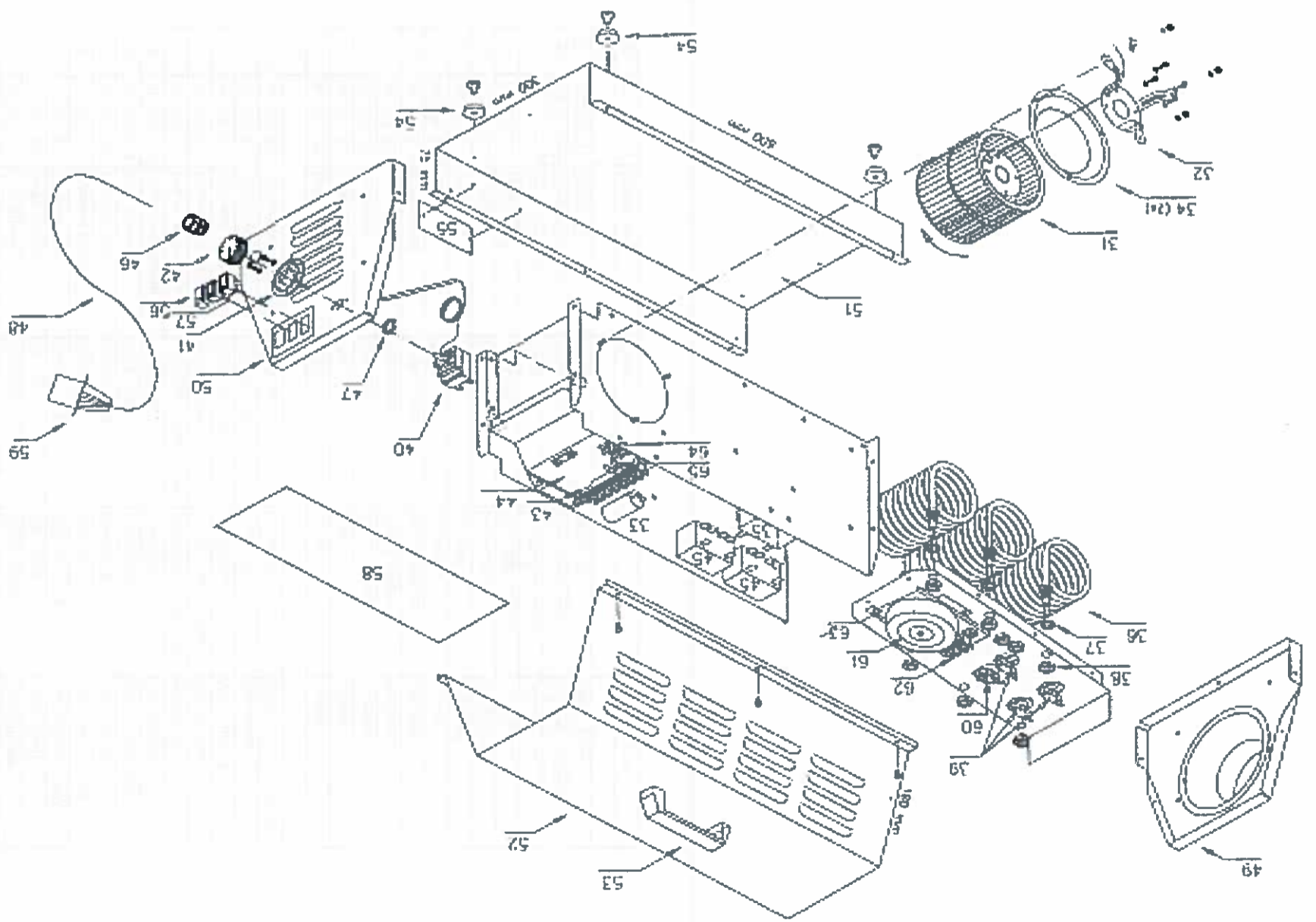
VTB 3000

THERMOBILE

Pos.	VTB 3000	NL	GB	F	D
		Omschrijving	Description	Description	Bezeichnung
1	40.307.301	Motor	Motor	Moteur	Motor
2	40.307.302	Motor beugel	Motor brace	Moteur anneau	Motorbügel
3	40.307.304	Condensator	Capacitor	Condensateur	Kondensator
4	40.307.303	Lucht inlaatrand	Air inlet	Prise d'air	Lufteinlass
5	40.307.305	Element 3 kW	Element 3 kW	Elément 3 kW	Heizelement 3 kW
6	40.307.307	Element pakking	Element gasket	Joint de couvercle	Element Dichtung
7	40.307.308	Element moer	Element nut	Elément écrou	Element Mutter
8	40.307.309	Max clixon	Limit clixon	Thermostat max	Max. Thermostat
9	40.307.311	Regel thermostat	Thermostat	Thermostat	Thermostat
10	40.307.112	Therm afd. ring chr.	Sealingring therm. Chr.	Abdeckring therm. Chr.	Anneau protect chr.
11	40.307.113	Therm knop zwart	Button therm. Black	Knopf Therm. Schwarz	Bouton therm. Noir
12	40.307.312	Connector SKF7	Connector SKF7	Connecteur SKF 7	Verbinder SKF 7
13	40.307.313	Isolatie plaat	Isolation plate	Plaque isolante	Isolierplatte
14+15	40.307.324	Klemwartel + moer	Cable gland + nut	Émerillon + écrou	Klemmboizen + Mutter
15					
16	40.307.325	Aansluitkabel	Cable	Câble	Kabel
17	40.307.326	Stekker	Plug	Prise	Stecker
18	40.307.327	Voorplaat	Front plate	Plaque de front	Vorderblech
19	40.307.328	Achterplaat	Rear plate	Plaque arrière	Rückblech
20	40.307.329	Bodemplaat	Bottom plate	Plaque inférieure	Unterblech
21	40.307.330	Kap	Cover	Couvercle	Haube
22	40.307.331	Handgreep	Handle	Poignée	Handgriff
23	40.307.332	Voeldop	Rubber feet	Base coquille	Fusschale
24	40.307.335	Type plaat	Type plate	Plaque modéle	Typenplatte
25	40.307.315	Schakelaar rood	Switch red	Interrupteur rouge	Schalter rot
26	40.307.314	Schakelaar zwart	Switch black	Interrupteur noir	Schalter schwarz
27	40.307.317	Relais 25A	Relay 25A	Relais 25 A	Relais 25A
28					
29	40.307.323	Afdekkplaat	Cover plate	Paroi	Abdeckplatte

THERMOBILE

VTB 9000

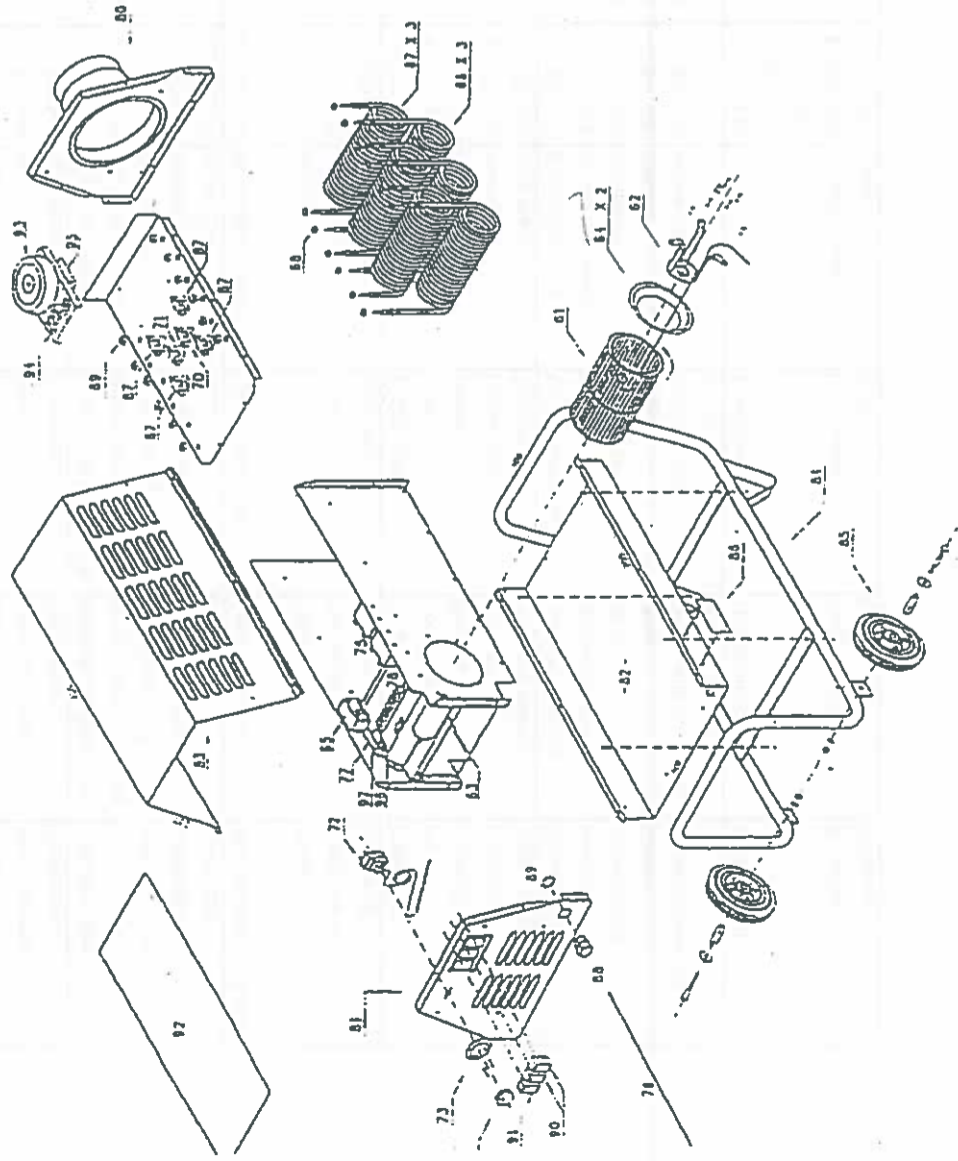


THERMOBILE®

	VTB 9000	NL	GB	F	D
		Omschrijving	Description	Description	Bezeichnung
31	40.307.401	Motor	Motor	Moteur	Motor
32	40.307.302	Motor beugel	Motor brace	Moteur anneau	Motorbügel
33	40.307.404	Condensator	Capacitor	Condensateur	Kondensator
34	40.307.303	Lucht inlaatrand	Air inlet	Prise d'air	Lufteinlass
35	40.307.418	Spannings relais	Tension protection relay	Relais de garde tension	Spannungs-bewachungsrelais
36	40.307.305	Element 3 kW	Element 3 kW	Élément 3 kW	Heizelement 3 kW
37	40.307.307	Element pakking	Element gasket	Élément joint de couverd	Element Dichtung
38	40.307.308	Element moer	Element nut	Élément écrou	Element Mutter
39	40.307.409	Max. clixon	Limit clixon	Thermostal max.	Max. Thermostal
40	40.307.311	Thermostal	Thermostal	Thermostal	Thermostal
41	40.307.112	Therm. afd. ring chr.	Sealingring therm. Chr.	Abdeckring therm. Chr.	Anneau protect chr.
42	40.307.113	Therm. knop zwart	Button therm. Black	Knopf Therm. Schwarz	Bouton therm. Noir
43	40.307.312	Connector SKF7	Connector SKF7	Connecteur SKF 7	Verbinder SKF 7
44	40.307.413	Isolatie plaat	Isolation plate	Plaque isolante	Isolierplatte
45	40.307.317	Relais 25A	Relay 25A	Relais 25 A	Relais 25A
46+47	40.307.324	Klemwafel + moer	Cable gland + nut	Émission + écrou	Klembolzen + Mutter
47					
48	40.307.425	Aansluitkabel	Cable	Câble	Kabel
49	40.307.427	Voorplaat	Front plate	Plaque de front	Vorderblech
50	40.307.428	Achterplaat	Rear plate	Plaque arrière	Rückblech
51	40.307.429	Bodemplaat	Bottom plate	Plaque inférieure	Unterblech
52	40.307.430	Kap	Cover	Couvercle	Haube
53	40.307.331	Handgreep	Handle	Poignée	Handgriff
54	40.307.332	Voeldop	Rubber feel	Base coquille	Fusschale
55	40.307.435	Type plaat	Type plate	Plaque modale	Typenplatte
56	40.307.315	Schakelaar rood	On/off switch red	Interrupteur rouge	Schalter rot
57	40.307.314	Schakelaar zwart	Switch black	Interrupteur noir	Schalter schwarz
58	40.307.423	Afdekkplaat	Cover plate	Pani	Abdeckplatte
59	40.307.426	Stekker	Plug	Prise	Stecker
60	40.307.410	Nakoel clixon	Cooling safety thermostat	Thermostal de refroidiss refroidissement	Nachkühlthermostat
61	40.307.419	Transformator	Transformer	Transformateur	Transformator
62	40.307.116				
63	40.307.132				
64	40.307.420	Zekeninghouder	Fuse holder	Support de fusée	Sicherungsstütze
65	40.307.421	Zekering	Fuse	Fusible	Sicherung

THERMOBILE

VTB 15000



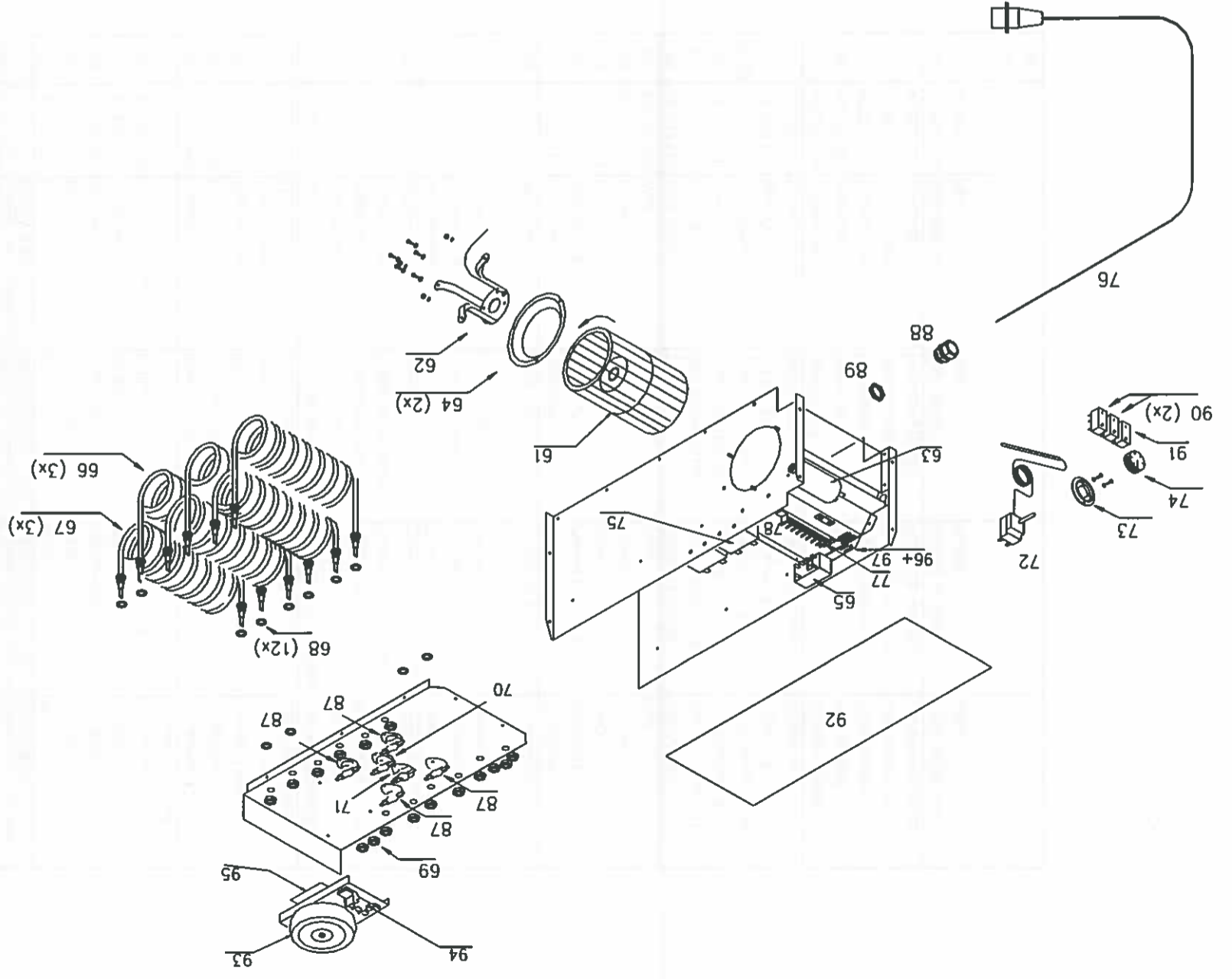
VTB 15000

THERMOBILE

Pos.	VTB 15000	NL	GB	F	D
	Omschrijving	Description	Description	Description	Bezeichnung
61	40.107.100	Motor	Motor	Moteur	Motor
62	40.307.101	Motor beugel	Motor brace	Moteur anneau	Motorbügel
63	40.307.102	Condensator	Capacitor	Condensateur	Kondensator
64	40.307.103	Lucht inlaatrand	Air inlet	Prise d'air	Lufteinlass
65	40.307.104	Spannings relais	Voltage relay	Relais de garde tension	Spannungs- bewachungsrelais
66	40.307.106	Element 2 kW	Element 2 kW	Element 2 kW	Heizelement 2 kW
67	40.307.105	Element 3 kW	Element 3 kW	Element 3 kW	Heizelement 3 kW
68	40.307.107	Element pakking	Element gasket	Element joint de couverc	Element Dichtung
69	40.307.108	Element moer	Element nut	Element écrou	Element Mutter
70	40.307.109	Max. dixon	Limit clixon	Thermosistat max.	Max. Thermosistat
71	40.307.110	Nakoel clixon	Cooling safly thermostat	Thermosistat de refroidiss	Nachkühlthermosistat
72	40.307.111	Thermosistat	Thermosistat	Thermosistat	Thermosistat
73	40.307.112	Therm. afd ring chr.	Sealingring therm. Chr.	Abdeckring therm. Chr.	Anneau protect chr.
74	40.307.113	Therm. knop zwart	Button therm. Black	Knopf Therm. Schwarz	Bouton therm. Noir
75	40.307.114	Relais 25A	Relay 25A	Relais 25 A	Relais 25A
76	40.307.115	Aansluitkabel	Cable	Cable	Kabel
77	40.307.116	Connector SKF7	Connector SKF7	Connecteur SKF 7	Verbinder SKF 7
78	40.307.117	Isolatie plaat	Isolation plate	Plaque isolante	Isolierplatte
79	40.307.118	Voorplaat	Front plate	Plaque de front	Vorderblech
80	40.307.119	Achterplaat	Rear plate	Plaque arrière	Rückblech
81	40.307.120	Bodemplaat	Bottom plate	Plaque inférieure	Unterblech
82	40.307.121	Kap	Cover	Couvercle	Haube
83	40.307.122	Frame	Frame	Chassis	Gestell
84	40.307.123	Wiel	Wheell	Roue	Rad
85	40.307.124	Type plaat	Type plate	Plaquelette modèle	Typenplatte
86	40.307.125	Max. dixon 63 gr.	Max. therm. 63 degr.	Therm. Max. 63 degr.	Max. Thermosist 63 Gr.
87	40.307.126	Wartel PG 21	Cable gand PG 21	Émerillon PG 21	Klemmbolzen PG 21
88	88+89	Klemwartel + moer	Cable gand + nut	Émerillon + écrou	Klemmbolzen + Mutter
89	40.307.127	Moer PG 21	Nut PG 21	Écrou PG 21	Mutter PG 21
90	40.307.128	Schakelaar rood	Switch red	Interrupteur rouge	Schalter rot
91	40.307.129	Schakelaar zwart	Switch black	Interrupteur noir	Schalter schwarz
92	40.307.130	Afdekkplaat	Cover plate	Paroi	Abdeckplatte
93	40.307.131	Transformator	Transformer	Transformateur	Transformator
94	40.307.132	Connectorstrip SKF 3F	Connectionsstrip SKF	Couvre-joint connect	Verb. Lasche SKF 3F
95	40.307.133	Trafoplaat	Transformplate	Plaque du transform.	Transformatorplatte
96	40.307.134	Zekeringhouder	Fuse holder	Support de fusée	Sicherungsstutze
97	40.307.135	Zekering	Fuse	Fusible	Sicherung
98					
99					
100					

THERMOBILE

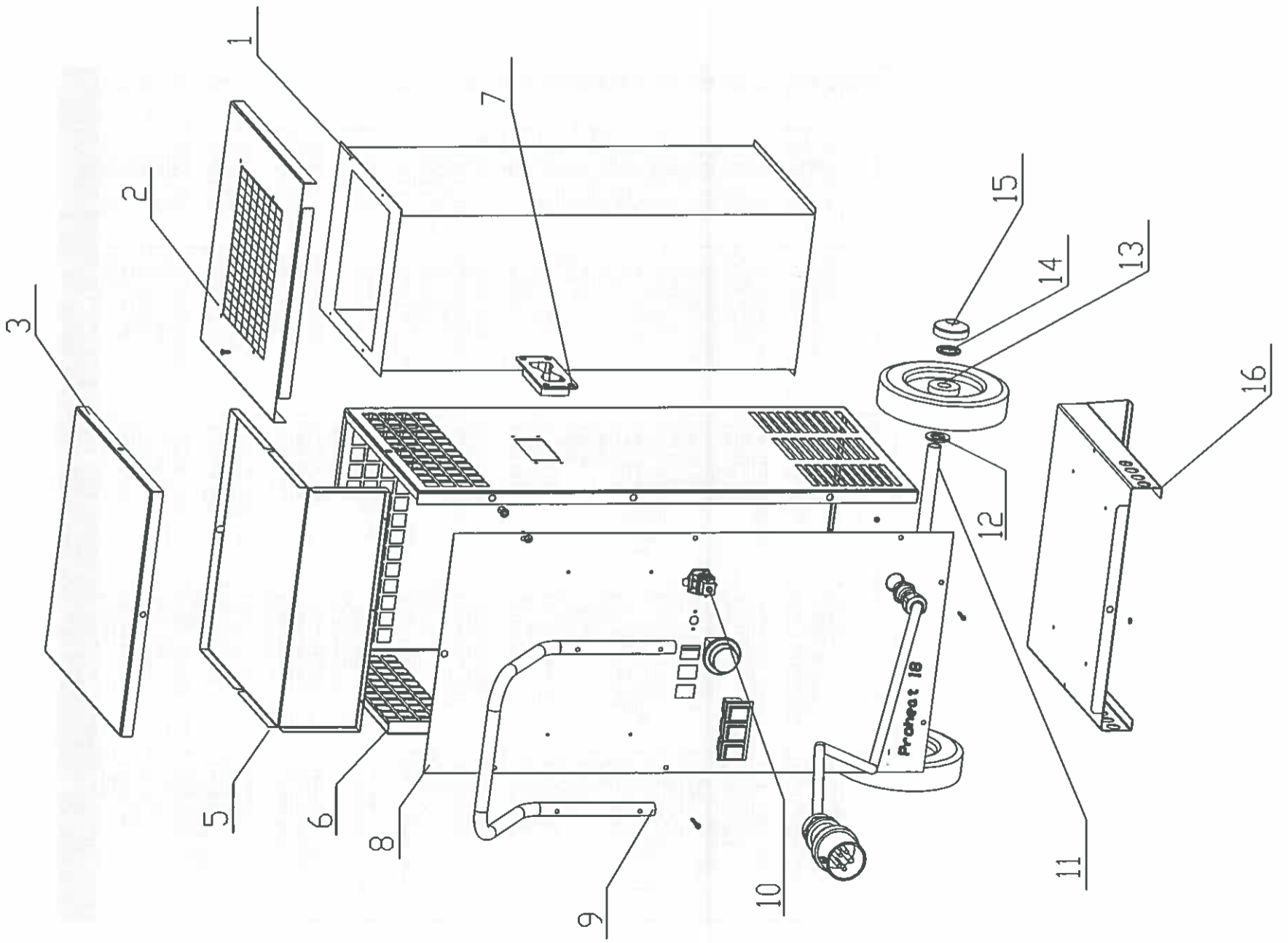
VTB 18000 / Proheat 18



THERMOBILE

Pos	PROHEAT 18	NL	GB	F	D
	Omschrijving	Description	Description	Bezeichnung	
61	40.307.100	Motor	Motor	Moteur	Motor
62	40.307.101	Motor beugel	Motor brace	Moteur anneau	Motorfügel
63	40.307.102	Condensator	Capacitor	Condensateur	Kondensator
64	40.307.103	Lucht inlaatrand	Air inlet	Prise d'air	Lufteinlass
65	40.307.104	Spannings relais	Voltage relay	Relais de garde	Spannungs- bewachungsrelais
66	40.307.105	Element 3 kW	Element 3 kW	Element 3 kW	Heizelement 3 kW
67	40.307.106	Element 2 kW	Element 2 kW	Element 2 kW	Heizelement 2 kW
68	40.307.107	Element pakking	Element gasket	Element joint de couverture	Element Dichtung
69	40.307.108	Element moer	Element nut	Element écrou	Element Mutter
70	40.307.125	Max. clixon	Limit clixon	Thermosist max.	Max. Thermosist
71	40.307.110	Nakoel clixon	Cooling safety thermosist	Thermosist de refroidissement	Nachkühlthermosist
72	40.307.111	Thermosiaal	Thermosist	Thermosist	Thermosist
73	40.307.112	Therm. ald ring chr.	Sealingring therm. Chr.	Absdeckring ther. Chr.	Anneau protect chr.
74	40.307.113	Therm knop zwart	Button therm Black	Knopf ThSchwarz	Bouton therm. Noir
75	40.307.114	Relais 25A	Relay 25A	Relais 25 A	Relais 25A
76	40.307.115	Aansluitkabel	Cable	Câble	Kabel
77	40.307.116	Connector SKF7	Connector SKF7	Connecteur SKF7	Verbindr SKF 7
78	40.307.117	Isolatie plaat	Isolation plate	Plaque isolante	Isolierplatte
79					
80	40.307.118	Voorplaat	Front plate	Plaque de front	Vorderblech
81	40.307.119	Achterplaat	Rear plate	Plaque arrière	Rückblech
82	40.307.120	Bodemplaat	Bottom plate	Plaque inférieure	Untertblech
83	40.307.121	Kap	Cover	Couvercle	Haube
84	40.307.122	Frame	Frame	Châssis	Gestell
85	40.307.123	Wiel	Wheel	Roue	Rad
86	40.307.124	Type plaat	Type plate	Plaque modle	Typenplatte
87	40.307.125	Max. clixon 63 gr.	Max. therm. 63 degr.	Therm. Max. 63 degr.	Max. Thermosist. 63 Gr.
88	40.307.126	Wartel PG 21	Cable gand PG 21	Emellion PG 21	Klemmboizen PG 21
89	40.307.127	Moer PG 21	Nut PG 21	Ecrrou PG 21	Mutter PG 21
90	40.307.128	Schakelaar rood	Switch red	Interrupteur rouge	Schalter rot
91	40.307.129	Schakelaar zwart	Switch black	Interrupteur noir	Schalter schwarz
92	40.307.130	Afdeklplaat	Cover plate	Paroi	Abdeckplatte
93	40.307.131	Transformator	Transformer	Transformateur	Transformator
94	40.307.132	Connectorstrip SKF 3F	Connectionstrip SKF	Couvre-joint connect.	Verb. Lasche SKF 3F
95	40.307.133	Tralioplaat	Transfomerplate	Plaque du transform.	Transformatorplatte
96	40.307.134	Zekeringhouder	Fuse holder	Support de fusée	Sicherungsstütze
97	40.307.135	Zekering	Fuse	Fusible	Sicherung
98					
99					

THERMOBILE

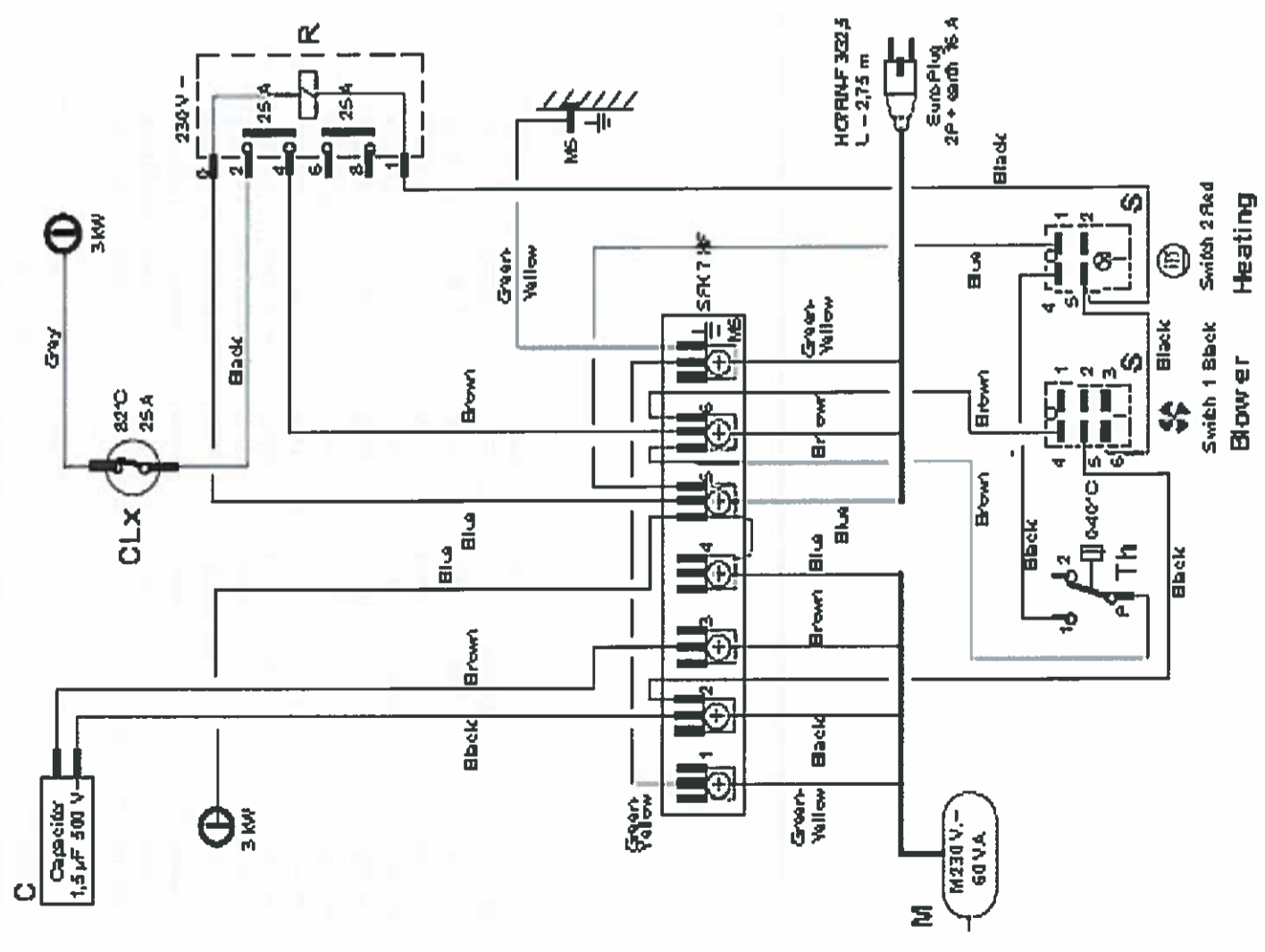


THERMOBILE

Pos.	Edb.n.r.	NL	GB	F	D
		Omschrijving	Description	Description	Bezeichnung
1	40.018.025	Binnenwerk	Interior work	Intérieur	Innenbau
2	40.018.013/01	Bevestigingsplaat	Fastening plate	Plaque de fixation	Bevestigingsplatte
3	40.018.012	Kap	Guard	Capot	Haube
4					
5	40.018.024	Koelplaat	Cooling plate	Plaque de refroidissement	Kühlplatte
6	40.018.010/02	Mantel	Manlle	Chemise	Mantel
7	40.018.031	Handgreep	Handle	Poignée	Handgriff
8	40.018.011/01	Achterpaneel	Rear panel	Panneau arrière	Rückwand
9	40.018.022	Handgreep	Handle	Poignée	Handgriff
10a	40.202.091	Stekkerzetel	Plug insert	Garniture de la fiche	Steckerersatz
10b	40.202.092	Stekkerhuis	Plug housing	Logement de la fiche	Steckerge häuse
10c	40.226.030	Afdekkapje	Cover	Capucon	Abdeckkappe
11	40.018.019	Wielas	Wheel shaft	Axe de roulette	Radachse
12	40.501.672	Stuifring	Washer	Bague de fermeture	Schließring
13	40.202.142	Wiel	Wheel	Roulette	Rad
14	40.202.101	Borgring	Locking ring	Bague de blocage	Klemmring
15	40.202.102	Stofkap	Dust cover	Cofite antipoussière	Staubhaube
16	40.018.014/01	Voetsteun	Footrest	Socle	Fussstütze
17					
18					

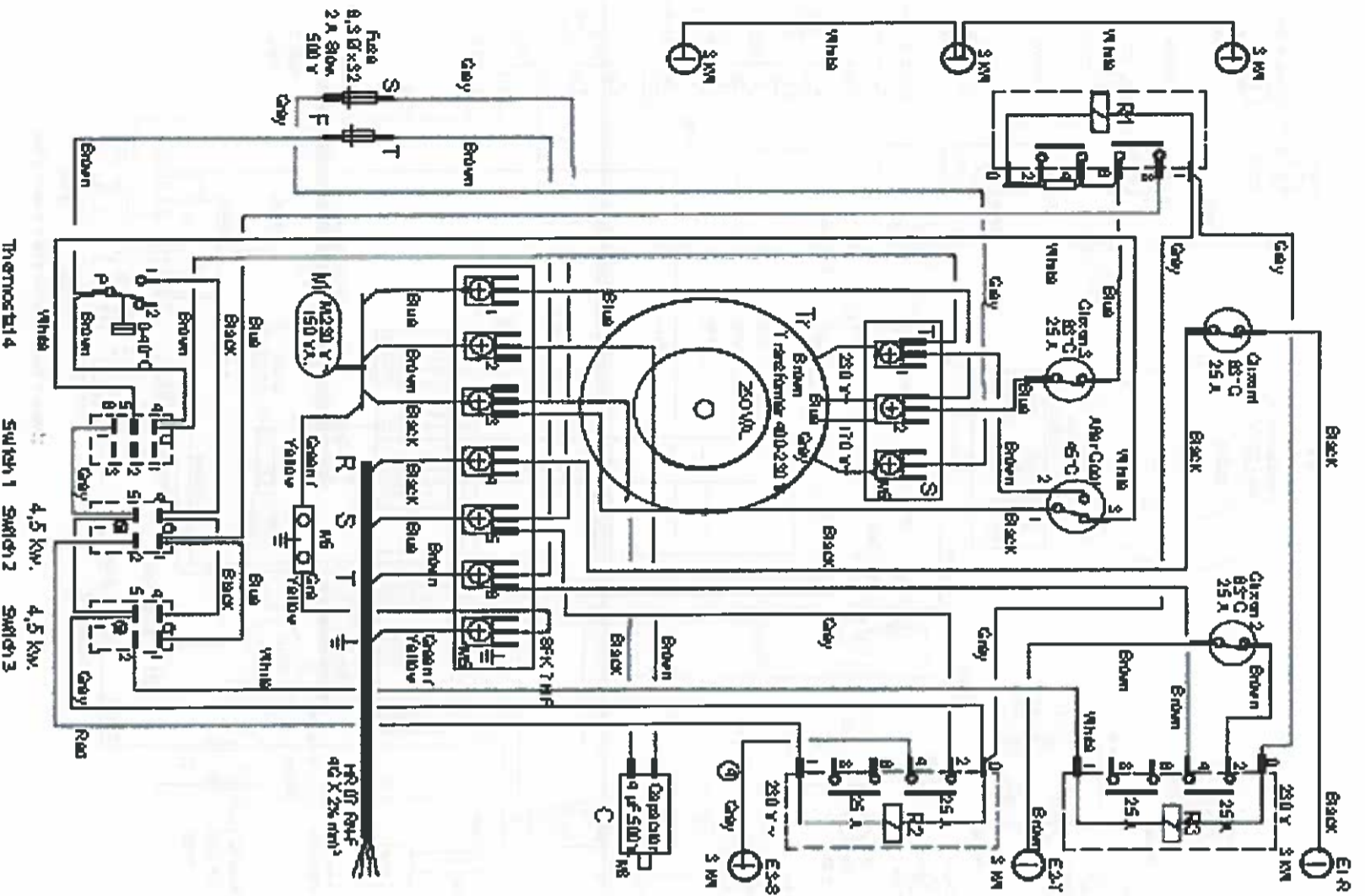
THERMOBILE

C: (VTB3000: 230 V / 50 Hz)



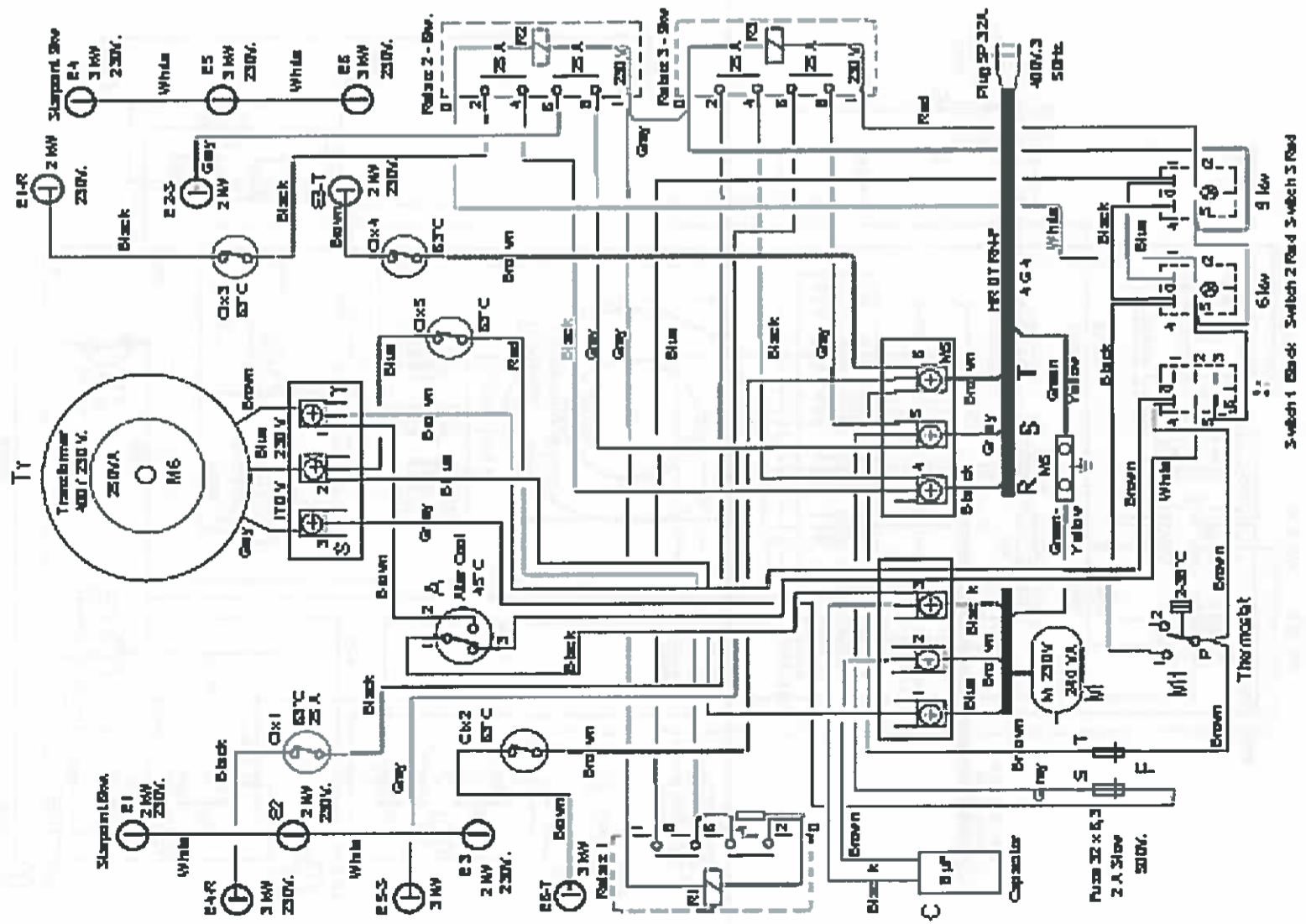
THERMOBILE

C: (MTB9000: 400 V / 3 Ph / 50 Hz)



THERMOBILE

C: (VTB 15000: 400 V / 3 Ph / 50 Hz)



THERMOBILE

VTB 18000 / Proheat 18

