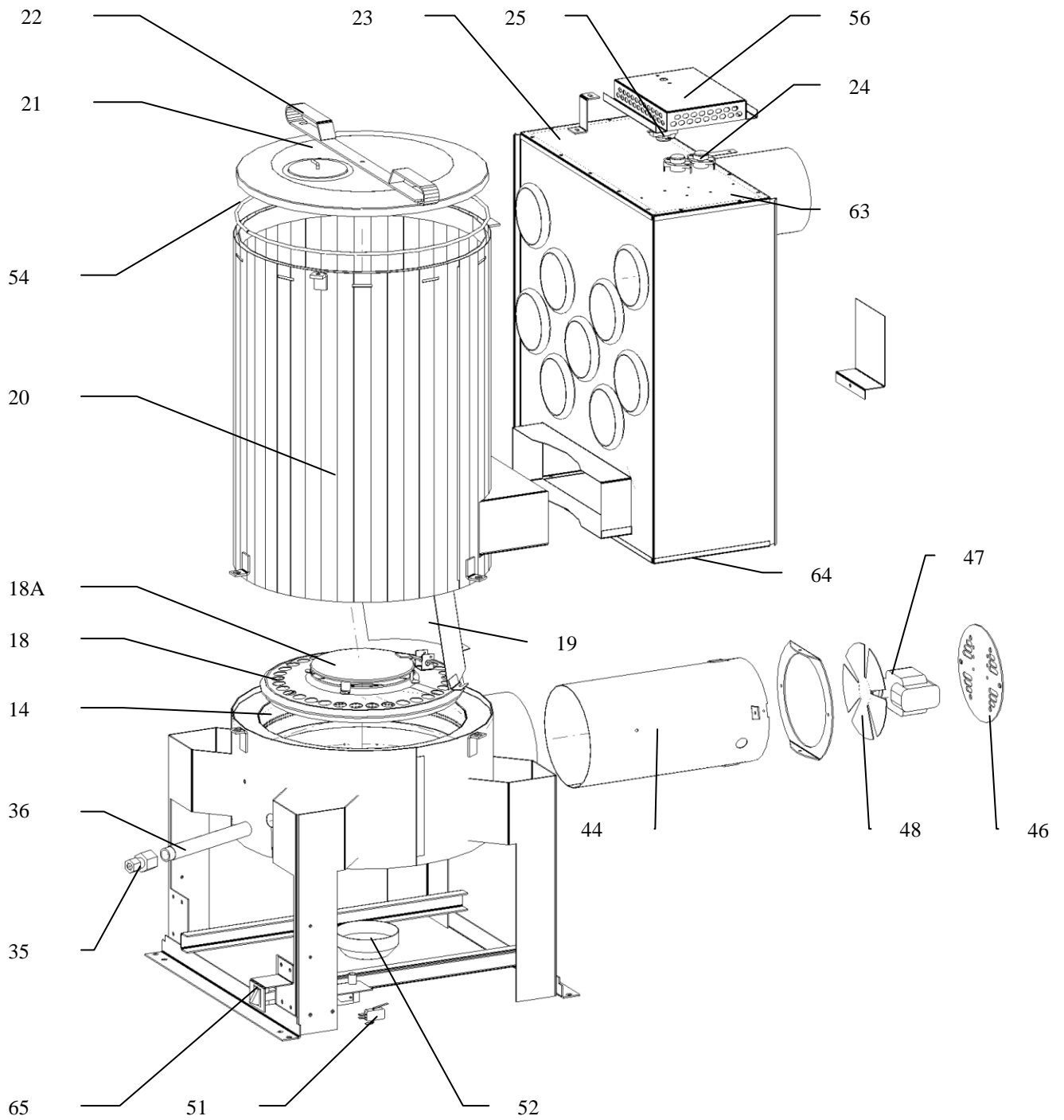


11 Exploded view

THERMOBILE INDUSTRIES BV



THERMOBILE INDUSTRIES BV

12 Parts list

Pos	Nederlands	English	Francais	Deutsch
1	ZIJWAND RECHTS	SIDE PANEL RIGHT	PANNEAU DROIT	SEITENWAND RECHTS
2	ZIJWAND LINKS	SIDE PANEL LEFT	PANNEAU GAUCHE	SEITENWAND LINKS
3	ACHTERWAND	BACK PANEL	PANNEAU ARRIERE	RÜCKWAND
4	KOELPLAAT	COOLING PLATE	PANNEAU REFROIDISSEMENT	KUHLPLATTE
5	SCHUIFWAND	SLIDE PANEL	PANNEAU DU TIROIR	VORDERSEITE SCHIEBEKASTEN
5a	HANDVAT	GRIP	POIGNEE DE CAPOT	GRIFF
6	GRONDPLAAT	BOTTOM PANEL	COUELLE INFERIEURE	UNTERSCHALE
7	BOVENDEKSEL	TOP LID	COUVERCLE SUPERIEUR	DECKPLATTE
7a	HANDVAT	GRIP	POIGNEE DE CAPOT	GRIFF
8	FRAME	FRAME	CHASSIS	RAHMENLEISTE
8a	SCHARNIER	HINGE	CHARNIERE	SCHARNIER
9	ZIJPANEEL LINKS	PANEL LEFT	PANNEAU GAUCHE	SEITENWAND LINKS
10	ZIJPANEEL RECHTS	PANEL RIGHT	PANNEAU DROIT	SEITENWAND RECHTS
11	DEKSEL BEDIENINGSPANEEL	TOP LID OF CONTROL PANEL	COUVERCLE SUPER	DECKPLATTE
12	OLIE TANK	FUEL TANK	RESERVOIR	BEHALTER
12a	HANDVAT	GRIP	POIGNEE	GRIFF
12b	AFTAP PLUG	DRAIN PLUG	BOUCHON DE VIDANGE	ABLASHAHN
12c	SLEUTEL AFTAP PLUG	KEY DRAIN PLUG	CLEF	SCHLUSSEL ABLASHAHN
13	UITBLAASROOSTER	BLOWING GRILLE PANEL	GRILLE A SOUFFLER	AUSBLASGITTER
14	VERDAMPINGSDEEL	VAPORIZING SECTION	SECTION D EVAPORATION	ABDÄMPFUNGSTEIL
15	SCHUIF	SLIDER	PANNEAU COULISSANT	SCHIEBEKASTEN
16	BODEM	BOTTOM	SUPPORT COUELLE	BRENNERSCHALE BEHALTER
17	BRANDERSCHAAL	COMBUSTION DISH	COUELLE DE COMBUSTION	BRENNERSCHALE
18	BRANDERRING	UPPER RING	ANNEAU DU BRULEUR	BRENNER RING
18a	HITTESCHILD	HEAT SHIELD	PLAQUE DE CHALEUR	HITZESCHILD
19	VLAMKEERSCHOT	BAFFLE PLATE	DEFLECTEUR	FLAMMENFUHRUNG
20	BRANDERKAMER	COMBUSTION CHAMBER	CHAMBRE DE COMBUSTION	BRENNKAMMER
21	BRANDERKAMERDEKSEL	COVER COMBUSTION	COUVERCLE DE LA CHAMBRE DE COMB.	BRENNKAMMER DECKEL
21a	EXPLOESIE DEKSEL	EXPLOSION COVER	COUVERCLE EXPLOSION	EXPLOSION DECKEL
22	DEKSEL SLUITING	SEALING COVER	POIGNEE DE COUVERCLE	DECKEL VERSCHLUSS
23	WARMTE WISSELAAR	HEAT EXCHANGER	ECHANGEUR DE CHALEUR	WARMEAUSTAUSCHER
24	THERMOSTAAT (2x)	THERMOSTAT (2x)	THERMOSTAT (2x)	THERMOSTAT (2x)
25	MAXIMAAL THERMOSTAAT	LIMIT THERMOSTAT	MAXIMAL THERMOSTAT	MAXIMAL THERMOSTAT
26	HEFBOOM	LEVER	LEVIER	HEBEL
27	VERGRENDELING	LOCKING DEVICE	DISPOSITIF DE VERROUILLAGE	VERSCHLUSS
28	BRANDSTOFFPOMP	FUEL PUMP	POMPE	BRENNSTOFFPUMPE
29	POMP STEUN	PUMP SUPPORT	SUPPORT DE POMPE	STUTZE PUMPE
30	FILTER	FUEL FILTER	FILTRE FUEL	FILTER
31	AANDRIJFAS	DRIVE SHAFT	ARBRE D'ENTRAINEMENT	ANTRIEBSWELLE
31a	SPLITPEN	SPLIT	GOUPILLE	SPLINT
32	TANK FILTER	FUEL TANK FILTER	FILTRE	TANK FILTER
33	3 WEG KOPPELING	3 WAY T-CONNECTER	ACCOUPEMENT	3 WEG KUPPLUNG
34	TOEVOER LEIDING	SUPPLY LINE	TUBE D ALIMENTATION	ZUFUHRROHR
35	KOPPELING	CONNECTER	ACCOUPEMENT	KUPPLUNG
36	INLOOPPIJP	DRIP FEED PIPE	TUBE D ALIMENTATION	EINLAUFROHR
37	RETOUR LEIDING	RETURN PIPE	TUBE DE RETOUR	RUCKLEITUNG
38	POMP MOTOR	PUMP MOTOR	MOTEUR DE POMPE	PUMPEN MOTOR
39	SCHAKELAAR	SWITCH	INTERRUPTEUR	SCHALTER
40	SCHEP	SHOVEL	PELLE	SCHAUFEL

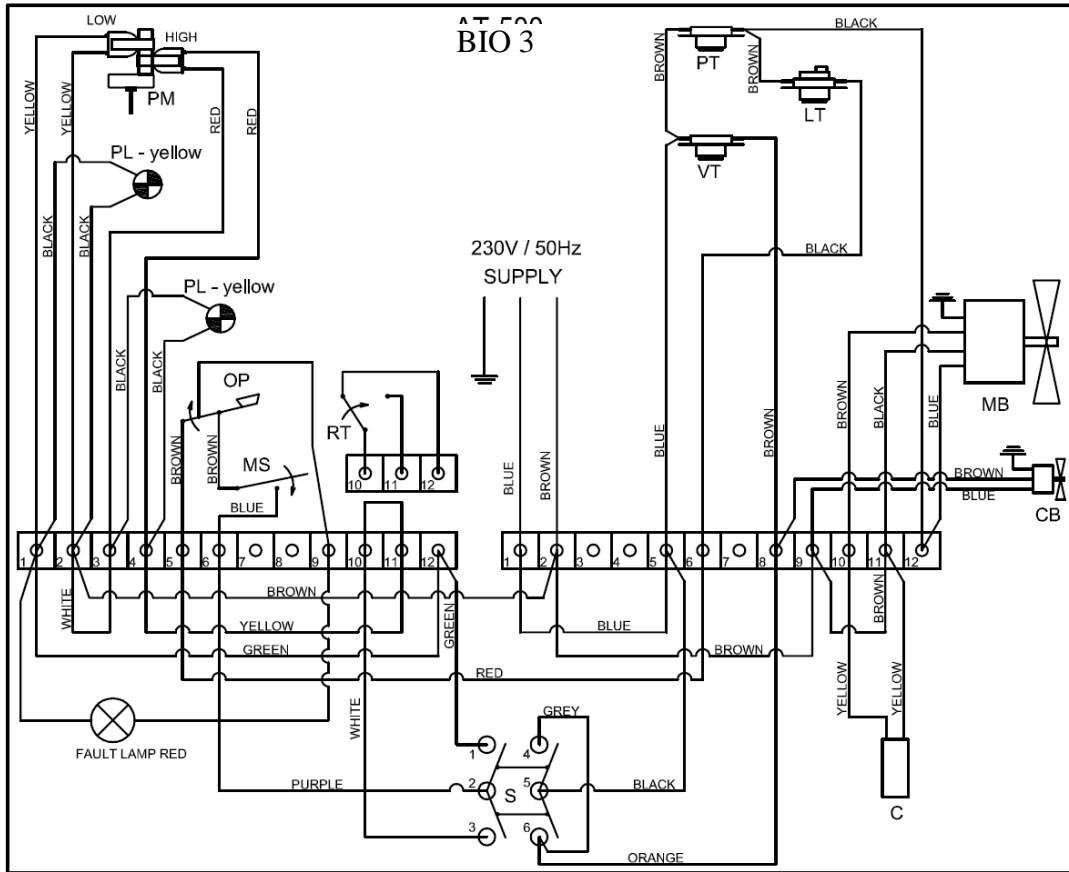
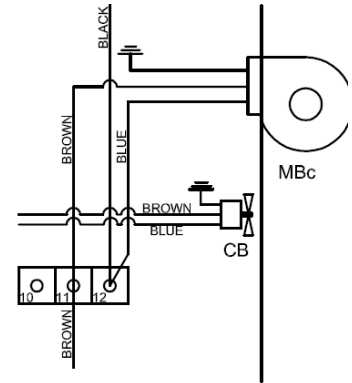
THERMOBILE INDUSTRIES BV

Pos	Nederlands	English	Francais	Deutsch
41	CONTROLE PANEEL	CONTROL PANEL	PANNEAU DE COMMANDE	KONTROLLE PANEL
43	CONDENSATOR	CAPACITOR	CONDENSATEUR	KONDENSATOR
44	VENTILATORHUIS	FAN HOUSING	LOGEMENT DU VENTILATEUR	VENTILATORGEHAUSE
46	BESCHERM GAAS	PROTECTION GRILLE	GRILLE	SCHUTZGITTER
47	MOTOR	MOTOR	MOTEUR	MOTOR
48	VENTILATOR	COMBUSTION FAN	VENTILATEUR	VENTILATOR
49	HOOFD VENTILATOR	HEAT DISTRIBUTOR FAN	MOTEUR VENTILATEUR	HAUPT VENTILATOR
49A	BESCHERM GAAS	PROTECTION GRILLE	GRILLE	SCHUTZGITTER
50	CONTROLE LAMP GEEL	PILOT LIGHT YELLOW	LAMPE TEMOIN JAUNE	MELDELAMPE GEEL
50a	CONTROLE LAMP ROOD	PILOT LIGHT RED	LAMPE TEMOIN ROUGE	MELDELAMPE ROOD
51	MICRO SCHAKELAAR	SWITCH OVERFLOW CUP	MICRO INTERRUPTEUR	MIKRO SCHALTER
52	OVERLOOP BEKER	OVERFLOW CUP	CUVETTE DE TROP PLEIN	UBERLAUF GEFASS
53	DRUKVEER	COMPRESSION SPRING	RESSORT DE PRESSION	DRUCKFEDER
54	AFDICHT KOORD SMAL	SEALING CORD SMALL	CORDON D ETANCHEITE PETIT	ABDICHTUNGSKORDE SCHMALL
55	AFDICHT KOORD DIK	SEALING CORD BIG	CORDON D ETANCHEITE GRANDE	ABDICHTUNGSKORDE DICK
56	THERMOSTAAT BEUGEL	THERMOSTAT BRACKET	THERMOSTAT BRIDE	THERMOSTAT STUTZE
57	T-STUK	T-PIECE WITH DRAFT REGULATOR	TE CHEMINEE DIAM 153	T-STUCK
58	KROON STRIP	CROWN STRIP	BANDE CONNECTION	KLEMMENREIHE
59	KOELPLAAT	COOLING PLATE	LAME DE REFROIDISSEMENT	KUHLPLATTE
60	KABELBOOM	CABLE LOOM	CABLE ELECTRIQUE	ELEKTRISCHE DRAHTE
61	BOVENKAST WARMTE WISSELAAR	UPPER CASE HEAT EXCHANGER	PARTIE SUPERIEURE ECHANGEUR DE CHALEUR	OBENTEIL WARMEAUSTAUSCHER
62	ONDERKAST WARMTE WISSELAAR	LOWER CASE HEAT EXCHANGER	PARTIE INFERIEURE ECHANGEUR DE CHALEUR	UNTERTEIL WARMEAUSTAUSCHER
63	BOVENPLAAT WARMTE WISSELAAR	TOP HEAT EXCHANGER	TOLE SUPERIEURE ECHANGEUR	OBEN PLATTE WARMEAUSTAUSCHER
64	ONDERPLAAT WARMTE WISSELAAR	LOWER HEAT EXCHANGER	TOLE INFERIEURE ECHANGEUR	UNTER PLATTE WARMEAUSTAUSCHER
65	DEUR SCHAKELAAR	DOOR SWITCH	INTERRUPTEUR TIROIR	TUR SCHALTER
66	VOET PEDAAL	DOOR PEDAL	PEDALE	FUSSHEBEL

THERMOBILE INDUSTRIES BV

POS	Bio 2	Bio 3	POS	Bio 2	Bio 3
1	41.925.012_7038	41.910.250_7038/05	31	41.900.592	41.900.592
2	41.925.011_7038	41.910.251_7038	31a	40.502.000	40.502.000
3	41.925.016_7038/03	41.910.295_7038/04	32	41.900.870/01	41.900.870/01
4	41.925.014	41.925.014	33	41.910.188	41.910.188
5	41.910.123_7038	41.910.123_7038	34	41.910.339/02	41.910.339/02
5a	40.700.037/02	40.700.037	35	41.910.187	41.910.187
6	41.910.073_8957/05	41.910.073_8957/04	36	41.910.335	41.910.335
7	41.910.261_8957/03	41.910.261_8957/03	37	41.910.159	41.910.159
7a	40.700.037/02	40.700.037	38	41.900.590	41.910.190
8	41.910.264/01	41.910.264/01	39	40.507.023	40.507.025
8a	41.900.937	41.900.937	40	41.900.606_8957	41.900.606_8957
9	41.925.018_7038/02	41.925.018_7038/02	41	41.925.050_7038/01	41.925.050_7038/01
10	41.925.019_7038/01	41.925.019_7038/01	43	41.000.173	41.000.173
11	41.911.043_8957	41.911.043_8957	44	41.910.286_8957	41.910.286_8957
12	41.910.033_8957/02	41.910.033_8957/02	46	41.921.060_8957	41.911.060_8957
12a	46.100.308	46.100.308	47	41.910.330	41.910.330
12b	41.900.936	41.900.936	48	41.910.331	41.910.331
12c	41.900.955	41.900.955	49	40.745.040	40.745.040
13	41.925.013_8957	41.911.009_8957	49A	41.925.066	41.925.066
14	41.920.113/03	41.910.337	50	41.900.598	41.900.598
15	41.910.028/01	41.910.028/01	50a		41.900.599
16	41.910.056/01	41.910.056/01	51	41.910.004	41.910.004
17	41.910.145	41.910.145	52	41.920.170	41.920.170
18	41.900.974/01	41.911.018/01	53	41.910.186	41.910.186
18a	41.900.975		54	41.900.805	41.900.805
19	41.910.099/01	41.910.099/01	55	41.910.196	41.910.196
20	41.920.010/03	41.910.020/06	56	41.925.036/05	41.925.036/05
21	41.910.096	41.910.096	57	41.900.680	41.910.002
21a	41.910.268/01	41.910.268/01	58	40.202.090	40.202.090
22	41.900.736_8957	41.900.736_8957	59	41.925.025/01	41.925.025/01
23	41.920.123/01	41.911.042	60	41.925.030/03	41.925.030/03
24	40.000.167	40.000.167	61		41.911.040/01
25	41.000.206	41.000.206	62		41.911.038/02
26	41.910.111_8957	41.910.111_8957	63	41.920.122/01	41.911.041/03
27	41.910.108_8957	41.910.108_8957	64	41.920.029/03	41.911.033
28	41.920.068	41.900.591	65	41.910.135	41.910.135
29	41.900.560/02	41.900.560/02	66	41.910.105_8957	41.910.105_8957
30	41.900.609	41.900.609			

BIO 3



MS : Microswitch for pump stop security
 MB : Main fan
 PM : Pump motor
 LT : Limit thermostat
 PT : Pump thermostat
 VT : Combustion air thermostat
 MBc : Main fan radial for C-kit (Ancillary)

CB : Combustion air Intake fan
 PL : Pilot light
 OP : microswitch for Overflow Protection
 S : Switch
 C : Capacitor

40.020.592/04