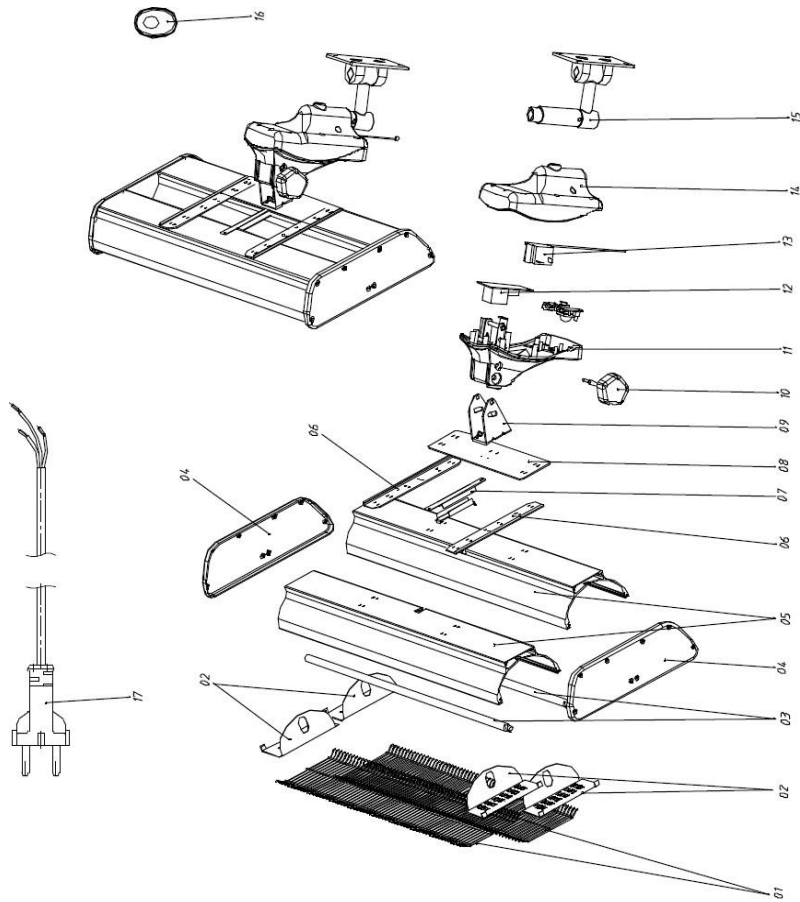


THERMOBILE®

REIT 2000



THERMOBILE®

NO	REFERENCE	DESCRIPTION	QTE
01	010800199	Mesh	2
02	010900172	Side Mesh	4
03	040400079	Halogen Lamp	2
04	010900372	Outer Side Board	2
05	010800652	Reflector	2
06	010900182	Strengthen board	1
07	010900965	Top protect cover	1
08	010900966	New conection board	1
09	010900964	New outside U board	1
10	011000344	PLUM KNOB	1
11	011000660	Sensor switch box	1
12	010360232	ZHQW033B(PCB)	1
13	010330018	Rope switch	1
14	011000661	Sensor switch cover	1
15	010900650	Wall assembly parts	1
16	010360013	Remote control	1
17	011100556	Power cord	1